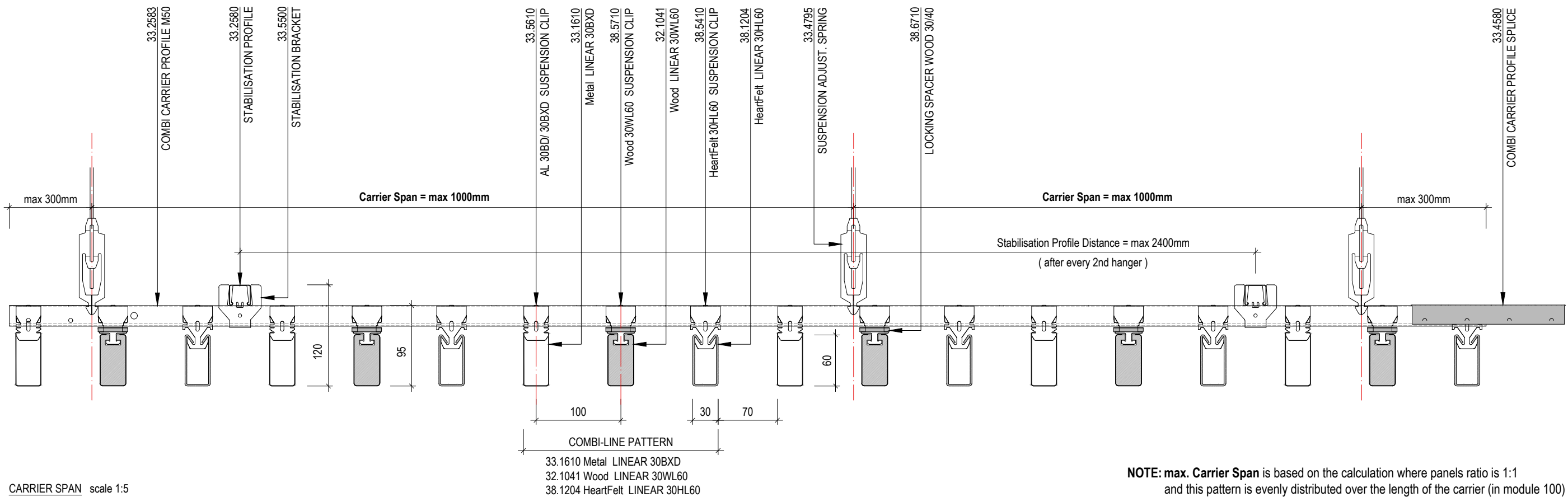
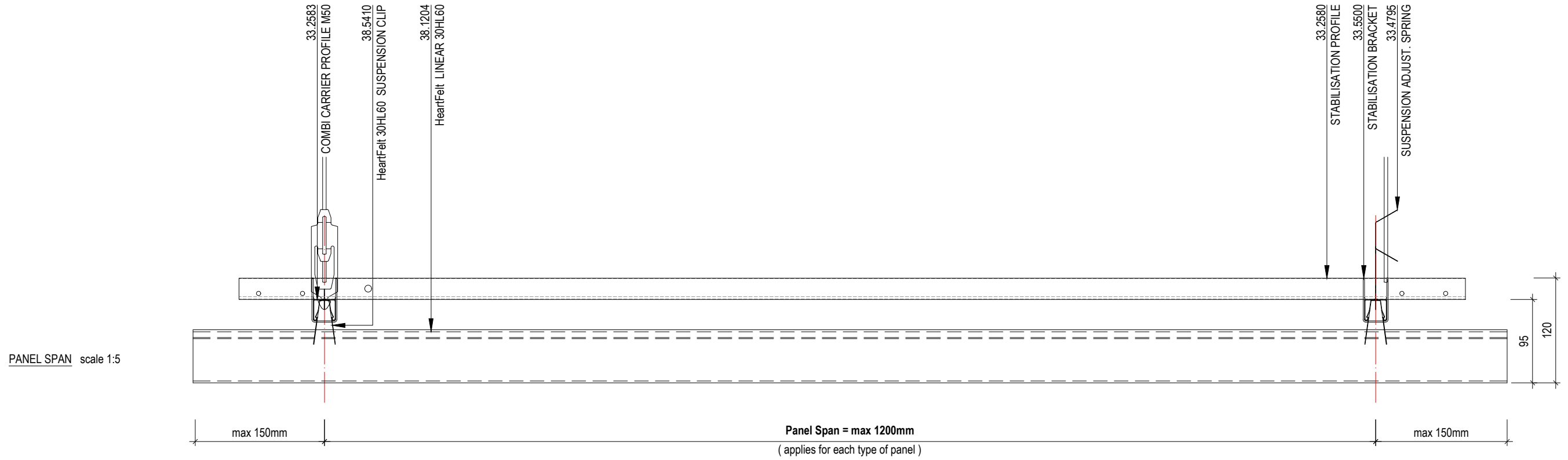


APPLICATION - COMBI-LINE CEILING M100



NOTE: max. Carrier Span is based on the calculation where panels ratio is 1:1 and this pattern is evenly distributed over the length of the carrier (in module 100)

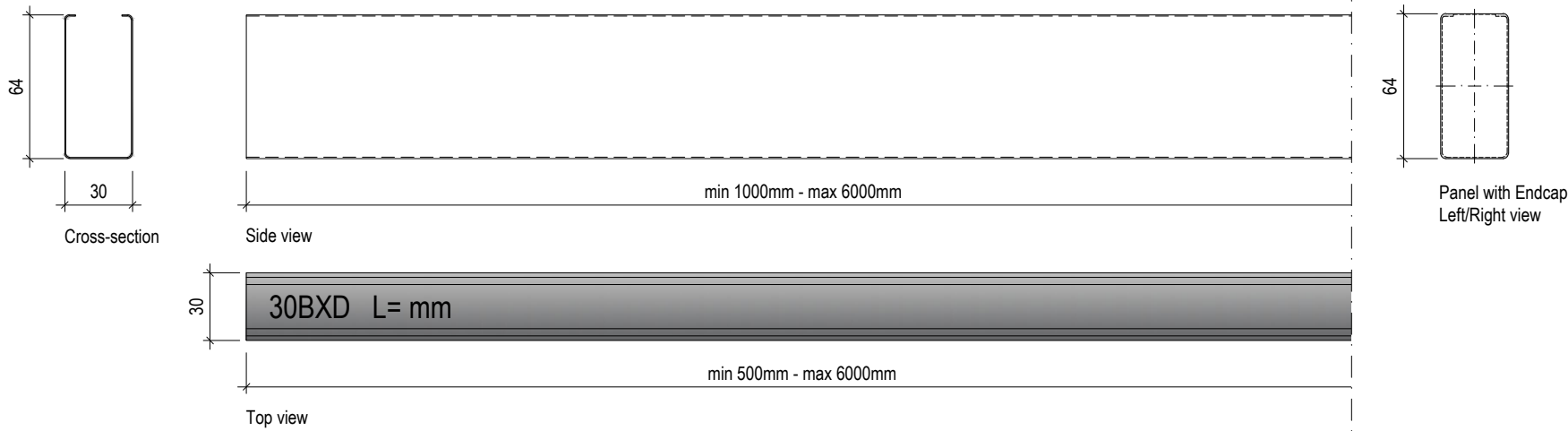
CARRIER SPAN scale 1:5

- 33.1610 Metal LINEAR 30BXD
- 32.1041 Wood LINEAR 30WL60
- 38.1204 HeartFelt LINEAR 30HL60

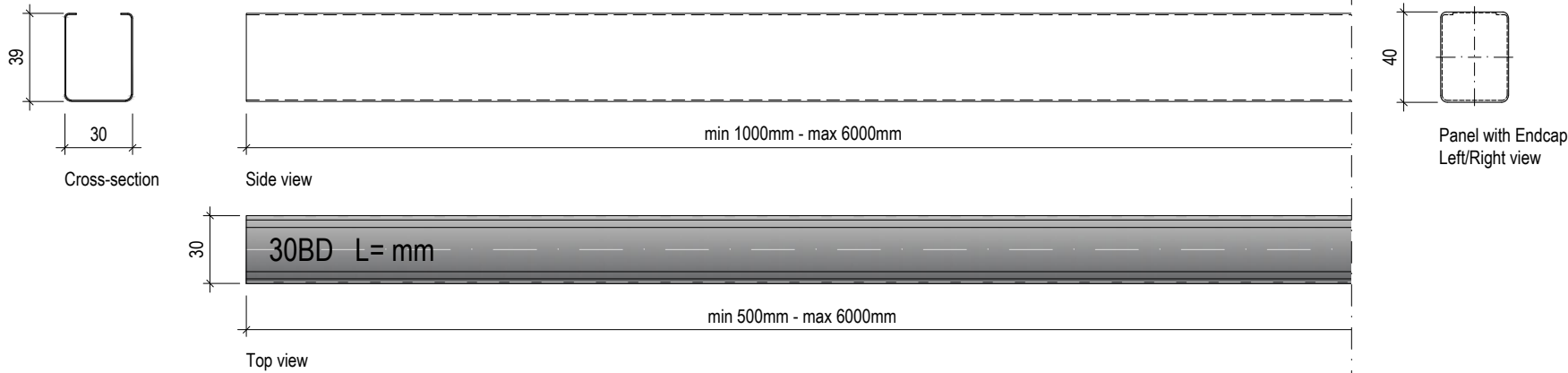


Drwg.No. C-i-Combi-Line-Linear-2D _Application M100	Date: 01.05.2021	Scale: 1:2,5
	Size: A3	Rev: -
Subject: Interior Combi-Line Ceiling		

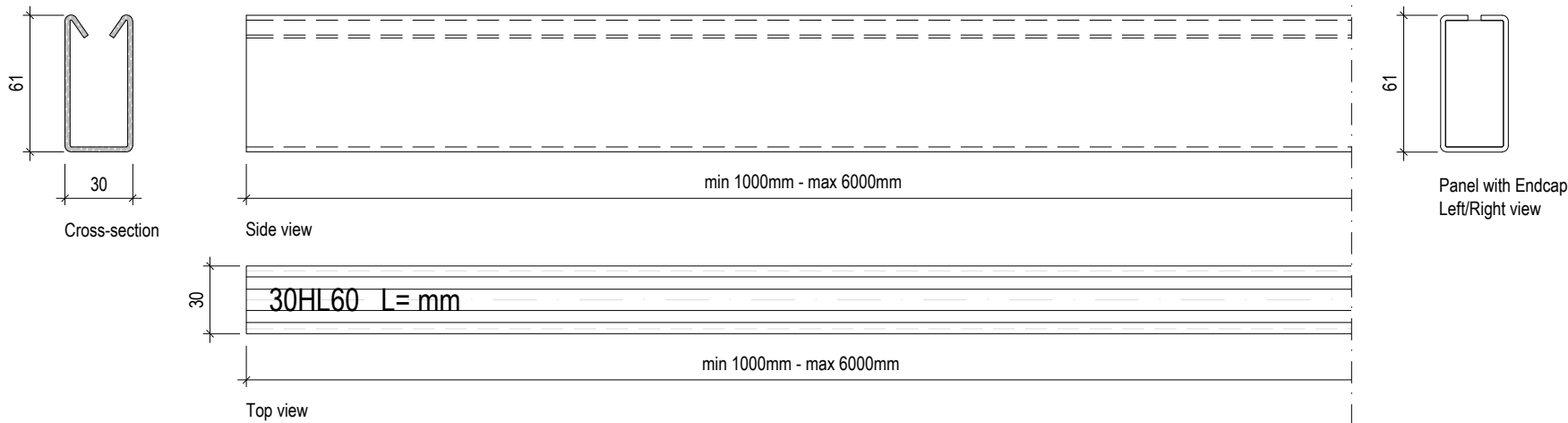
33.1610
Metal LINEAR 30BXD



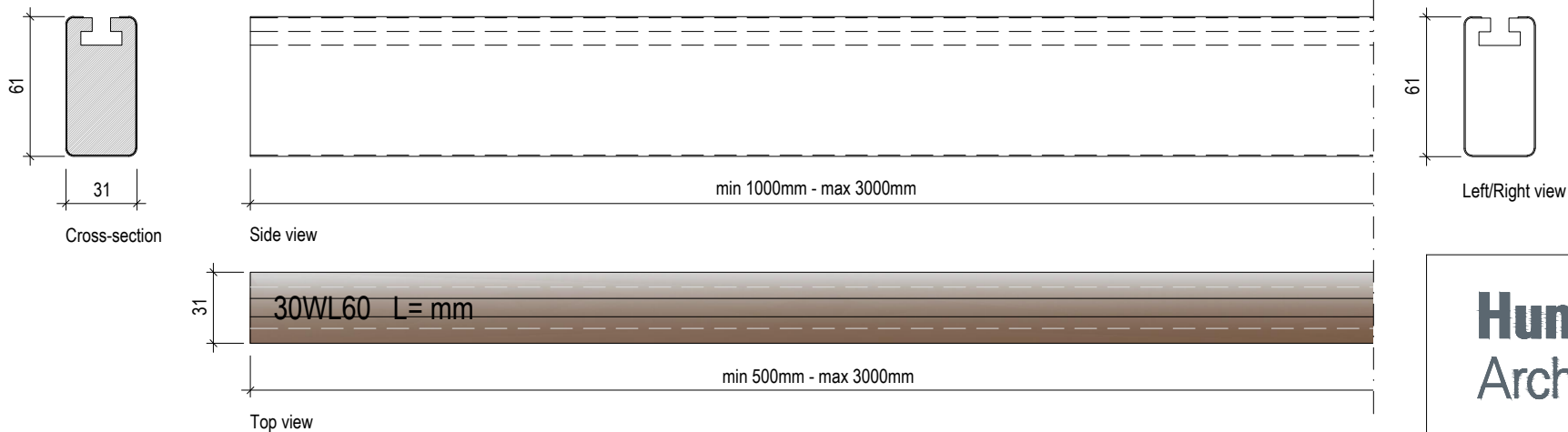
33.1682
Metal LINEAR 30BD



38.1204
HeartFelt LINEAR 30HL60

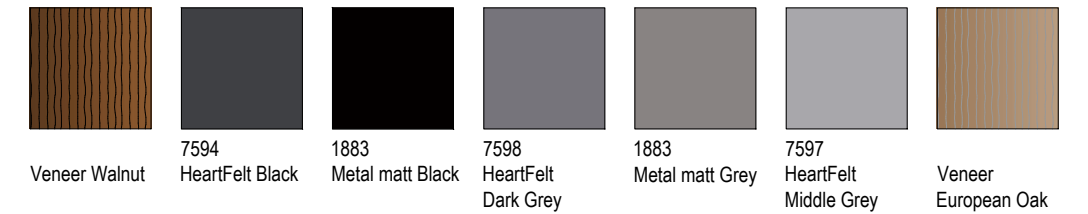


32.1041
Wood LINEAR 30WL60

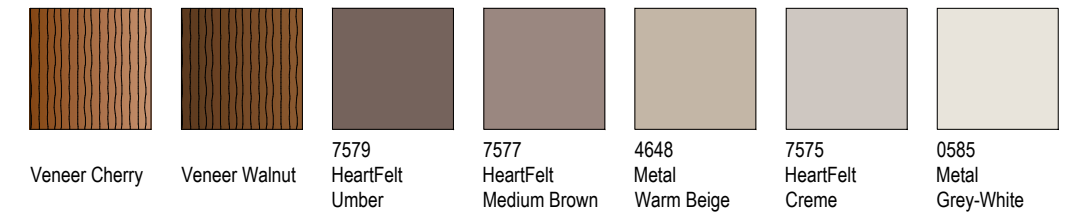


COLOUR SAMPLES

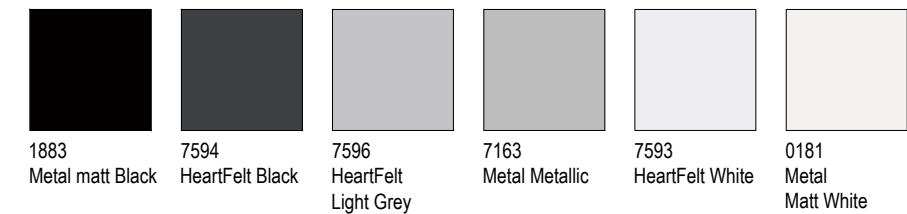
MODEST ELEGANCE



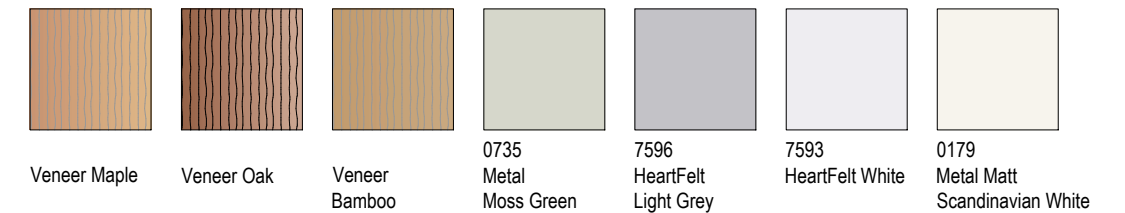
NATURAL PURITY



LINEAR MINIMALIST



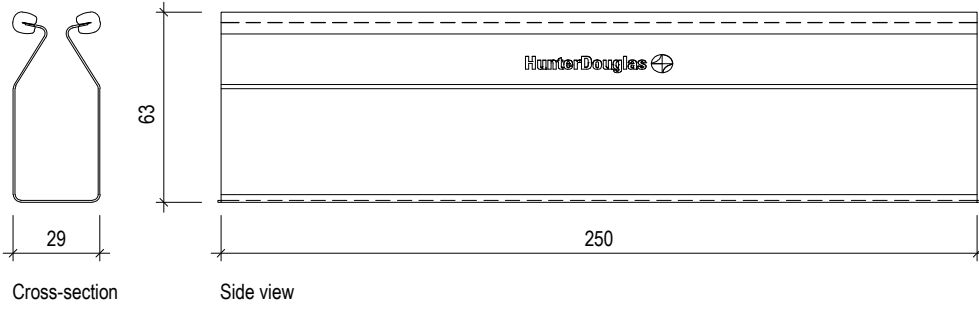
SOFT SCANDINAVIAN



NOTE: COLOURS ARE FOR ILLUSTRATION PURPOSES ONLY

Drwg.No. C-i-Combi-Line-Linear-2D _Panels & Colours	Date: 01.05.2021	Scale: 1:2,5
	Size: A3	Rev: -
Subject: Interior Combi-Line Ceiling		

33.4661
AL 30BXD PANEL SPLICE



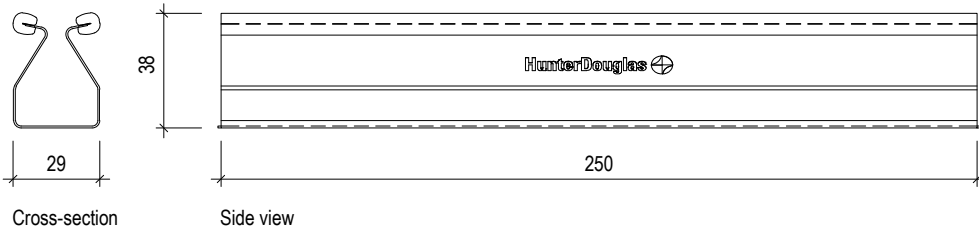
Cross-section

Side view



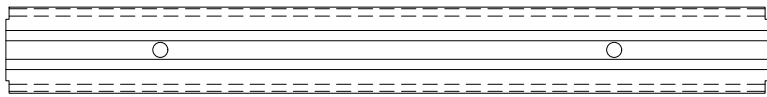
Top view

33.4660
AL 30BD PANEL SPLICE



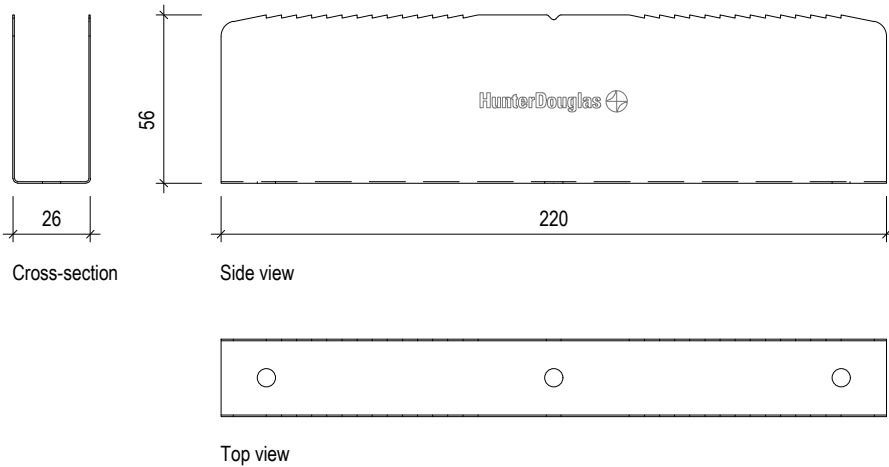
Cross-section

Side view



Top view

38.4204
HeartFelt LINEAR SPLICE 30HL60

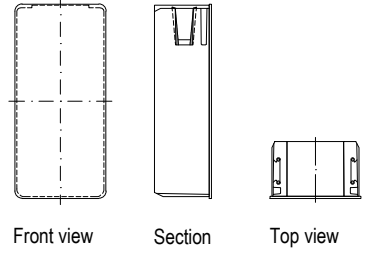


Cross-section

Side view

Top view

33.4646
Metal LINEAR ENDCAP 30BXD

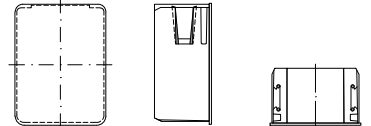


Front view

Section

Top view

33.4654
Metal LINEAR ENDCAP 30BD

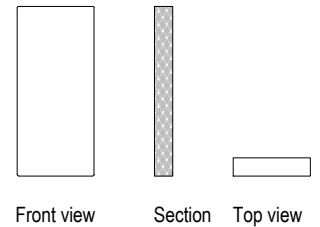


Front view

Section

Top view

38.4211
HeartFelt LINEAR ENDCAP 30HL60

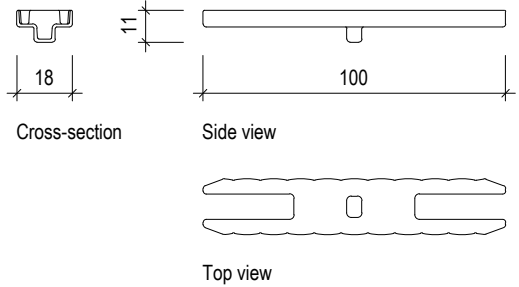


Front view

Section

Top view

38.7710
Wood LINEAR SPLICE 30WL60

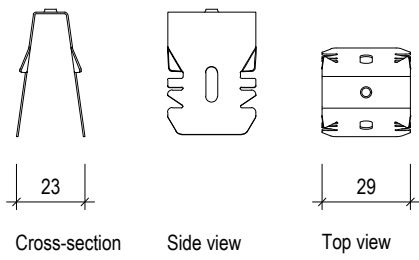


Cross-section

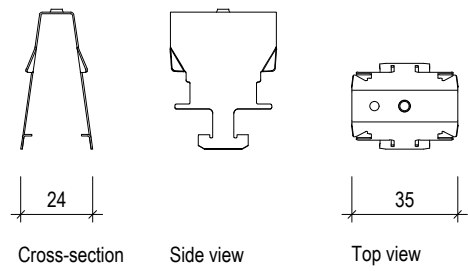
Side view

Top view

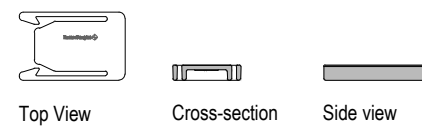
33.5610
AL 30BD/ 30BXD SUSPENSION CLIP



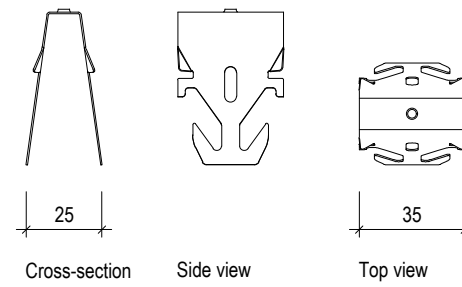
38.5710
Wood 30WL60 SUSPENSION CLIP



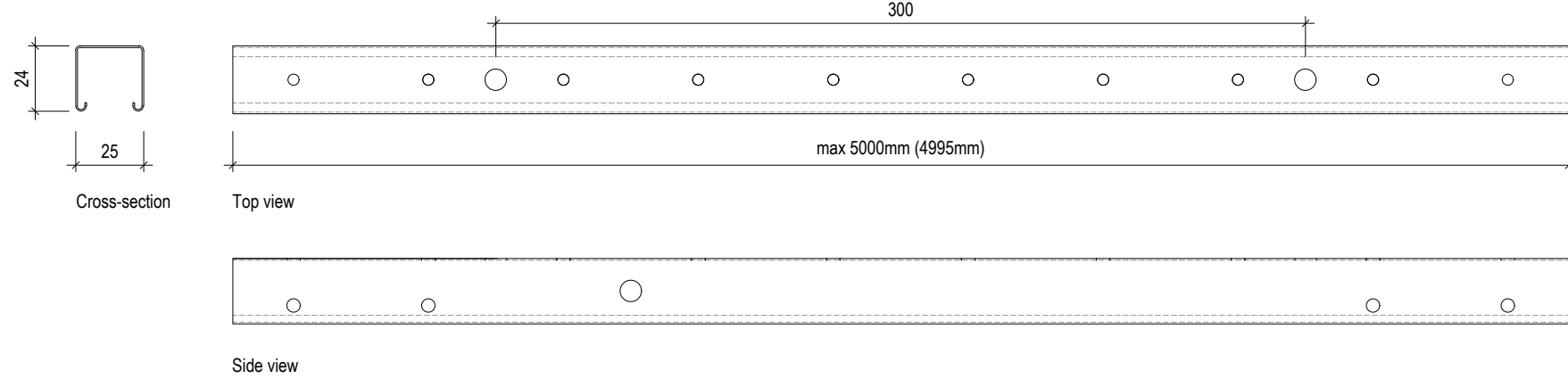
38.6710
LOCKING SPACER WOOD 30/40



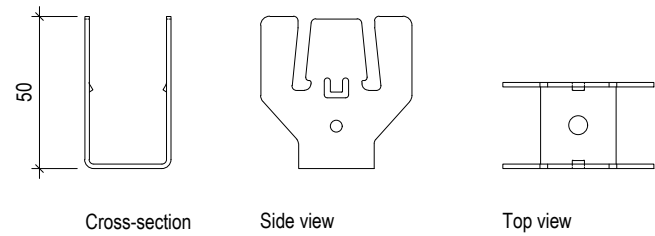
38.5410
HeartFelt 30HL60 SUSPENSION CLIP



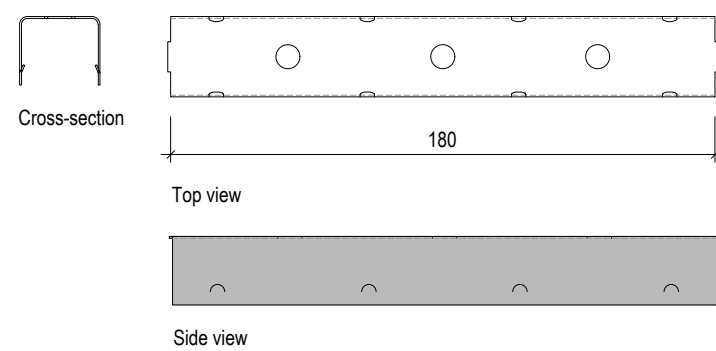
33.2583
FE COMBI CARRIER M50



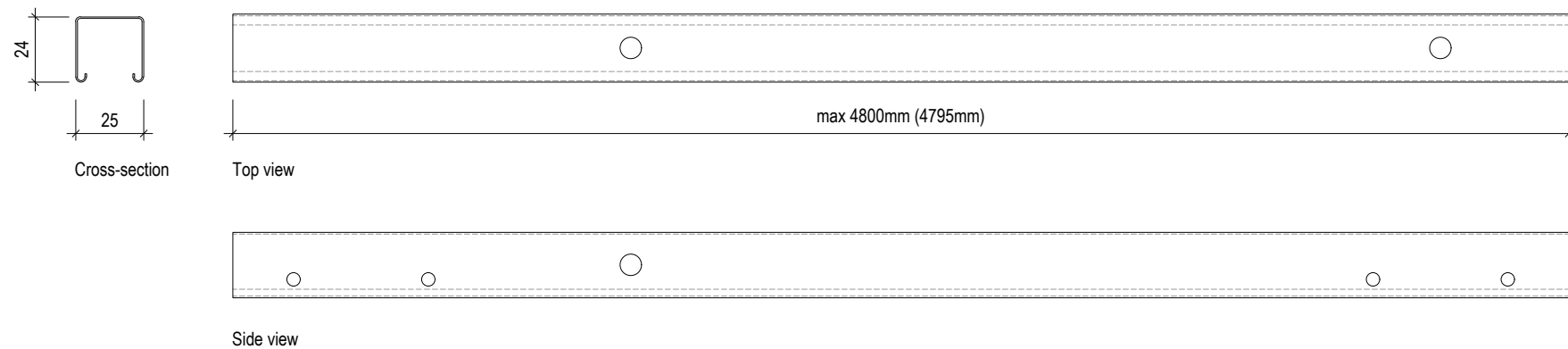
33.5500
COMBI CARRIER FE STABILISATION BRACKET



33.4580
COMBI CARRIER SPLICE FE

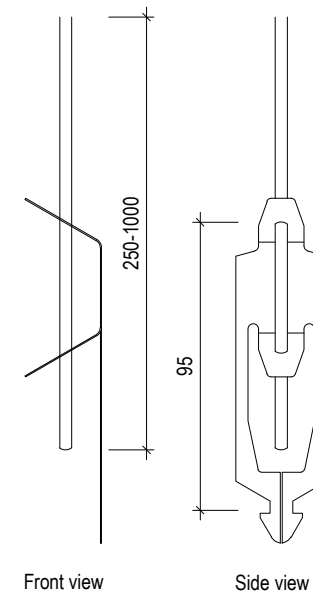


33.2580
FE STABILISATION PROFILE - FE COMBI CARRIER M00



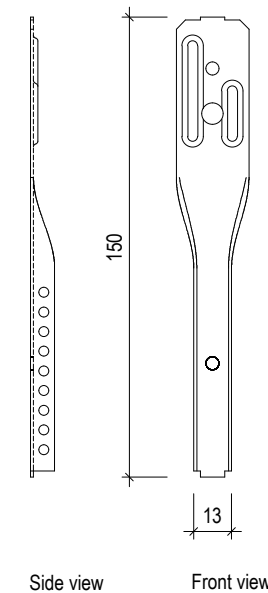
33.4795
SUSPENSION ADJUST. SPRING
&
33.4878 - 33.4890
LUXALON ROD HANGER

- 33.4884 - L= 250 mm
- 33.4856 - L= 375 mm
- 33.4862 - L= 500 mm
- 33.4890 - L= 750 mm
- 33.4878 - L=1000 mm



34.4300 - 34.4310
UPPER NONIUS HANGER

- 34.4300 - L= 150 mm
- 34.4302 - L= 300 mm
- 34.4304 - L= 500 mm
- 34.4306 - L=1000 mm
- 34.4308 - L=1500 mm
- 34.4310 - L=2000 mm



34.4316
LOWER NONIUS HANGER BEND

