

HeartFelt® Islands

ACOUSTIC FELT CEILING ISLANDS

PRODUCT CHARACTERISTICS

- Free-hanging ceiling island with felt panels
- Excellent acoustic performance
- 5 shades of grey and 5 earth tones
- 3 standard island sizes available
- Cradle to Cradle Certified™ Bronze
- Easy installation and low risk for damages
- Easy to maintain: dirt and dust resistant

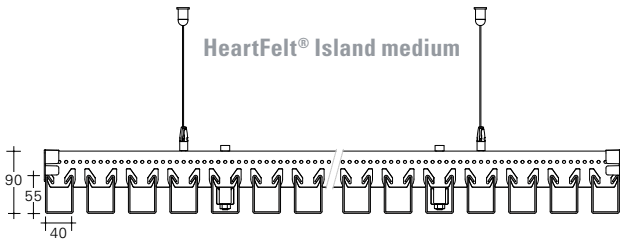
www.hunterdouglasarchitectural.eu

© Registered trademark - a HunterDouglas® product

HunterDouglas 
Architectural

HeartFelt® Islands

PROFILE



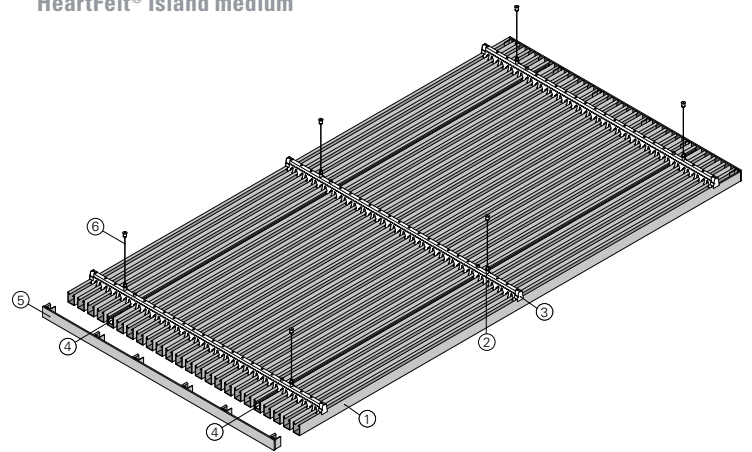
DIMENSIONS & MATERIAL

	Small	Medium	Large
Format	270 x 70 cm	270 x 142 cm	270 x 286 cm
Type of panel	Box-shaped, 40 x 55 mm	Box-shaped, 40 x 55 mm	Box-shaped, 40 x 55 mm
Number of panels	12	24	48
Number of hangers	4	6	9
Number of carriers	3	3	3
Number of stabilisation profiles	2	2	2

MATERIAL PROPERTIES

- **Material:** non-woven, thermo formable PES-fibers
- **Fire retardant:** class B-s1,d0 EN 13501-1
- **Light reflection:** depending on colour
- **Exposure class:** B EN 13964

HeartFelt® Island medium



SYSTEM OVERVIEW

- 1 = HeartFelt® panel 40HL55 (module 60)
- 2 = Carrier
- 3 = Carrier end cap
- 4 = Stabilisation profile with spacer stabiliser (inside HeartFelt® panel)
- 5 = Island end cap (felt)
- 6 = Wire hanger

ACOUSTICS

HeartFelt® Islands

The results are expressed as the equivalent sound absorption area A (m²) per object.

Island type	Module	125 Hz	250 Hz	500 Hz	1000 Hz	2000 Hz	4000 Hz
Large	M60	0.6	2.0	4.1	6.5	8.6	10.2
Medium	M60	0.3	1.2	2.2	3.7	4.8	5.5
Small	M60	0.1	0.7	1.2	2.3	2.8	3.4

The sound absorption value (α_w) of the ceiling system HeartFelt® panels 40HL55 installed with module 60 is 0.65.

CERTIFICATIONS

- Indoor Air Comfort Gold
- VOC emission class A+
- Cradle to Cradle™ Level Bronze
- Oeko-tex Standard 100 class IV

© Copyright Hunter Douglas Architectural | 2724HF2002eu
 ® Registered trademark - a HunterDouglas® product Pats. & Pats. Pend. - Technical data subject to change without notice. No rights can be derived from copy, text pertaining to illustrations or samples. Subject to changes in materials, parts, compositions, designs, versions, colours etc., even without notice.

Cradle to Cradle Certified™ is a certification mark licensed by the Cradle to Cradle Products Innovation Institute.

