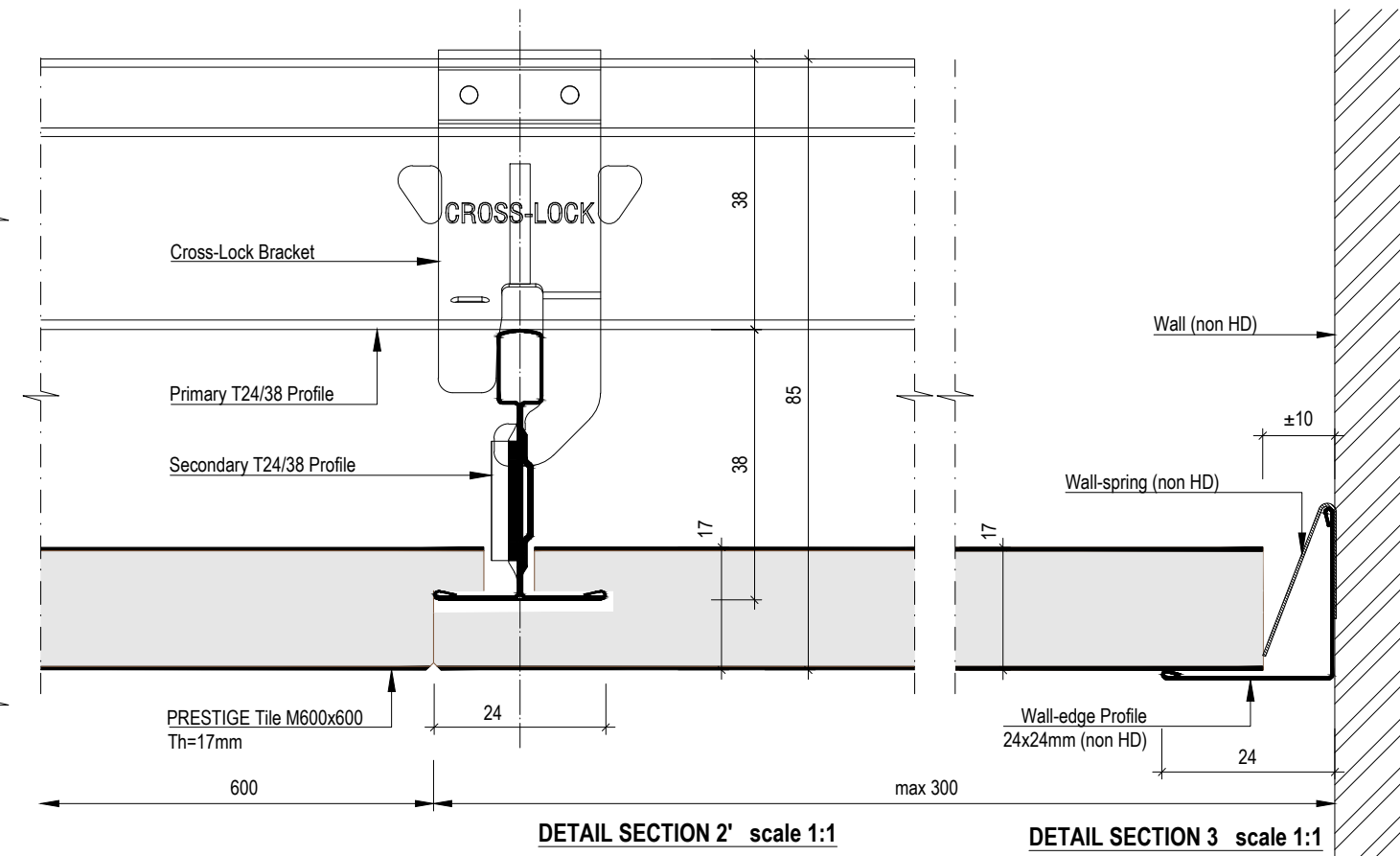
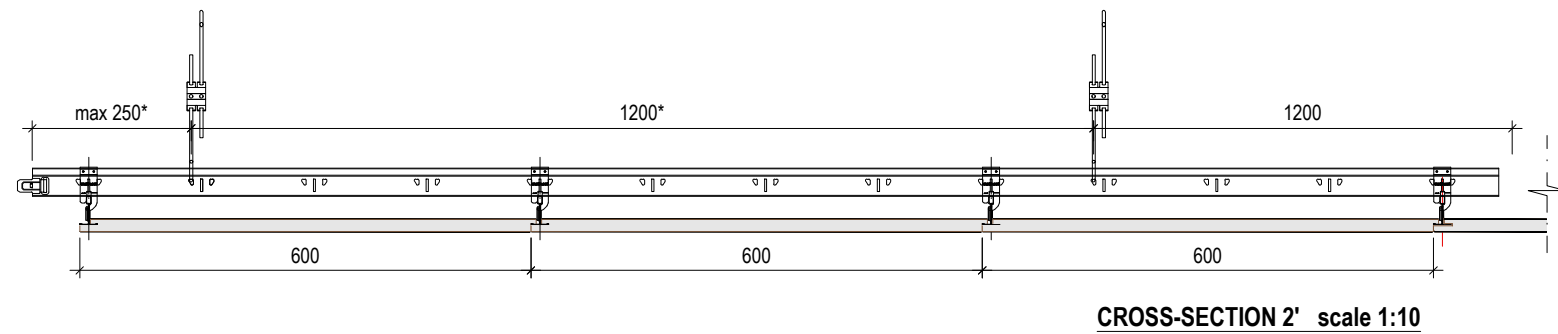
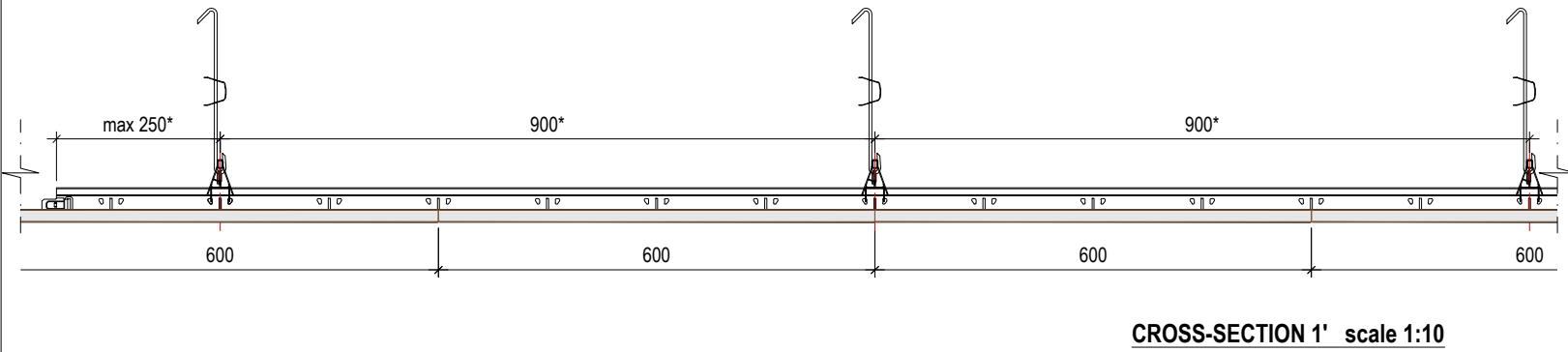
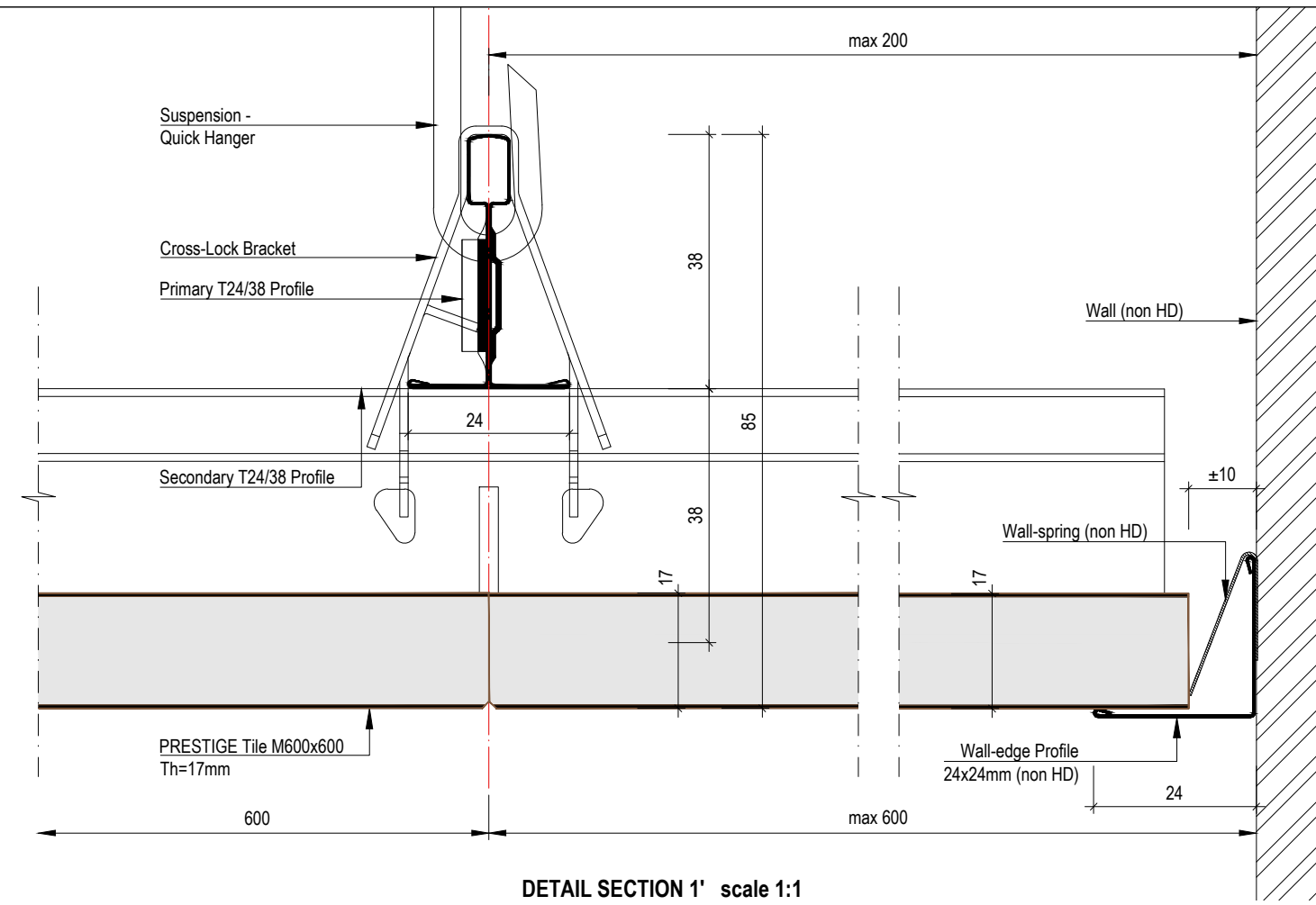
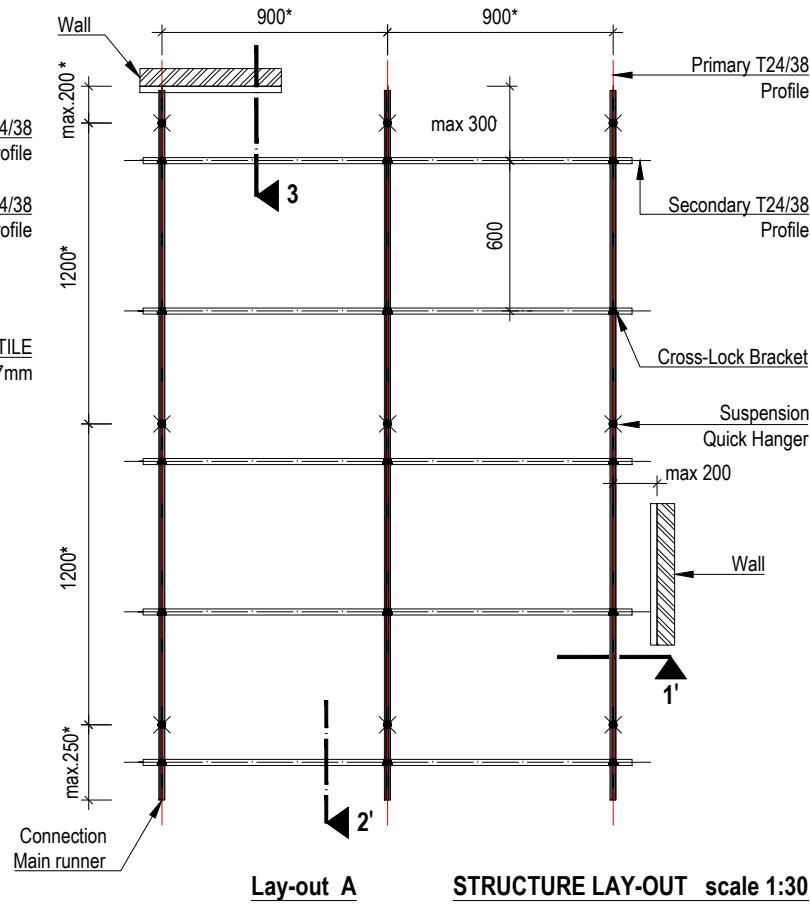
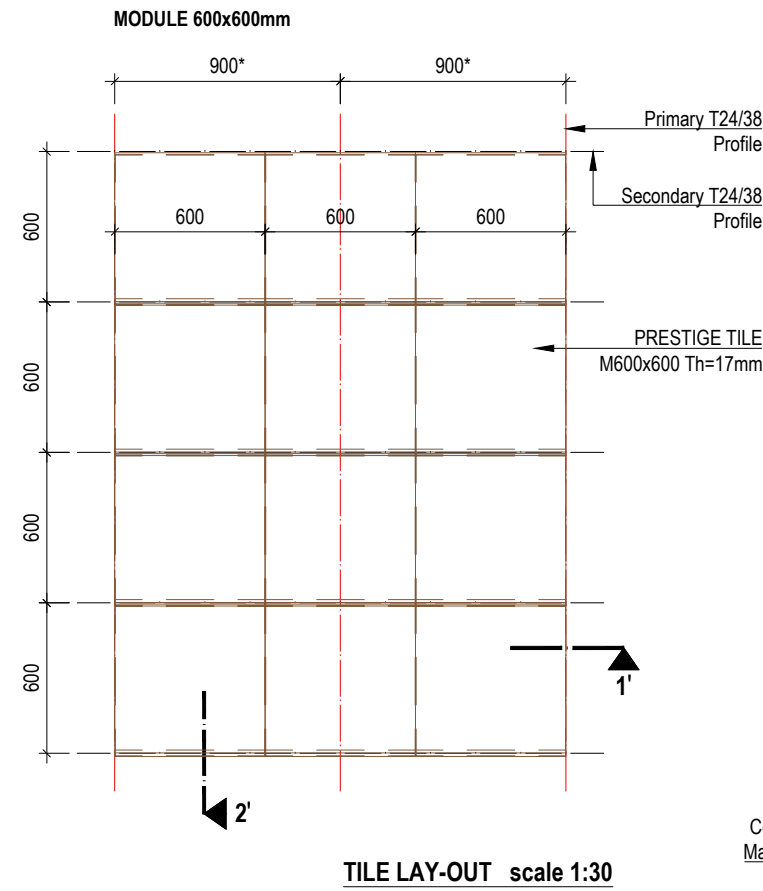


**PRESTIGE TILE**



NOTE: max.200\*/250\*/900\*/1200\* - Maximum length of carrier cantilever and carrier span are specified in CEILING SUSPENSION INFORMATION



Drwg.No. C-i-VW-TI-PR-T24 -2D_2019_Application- A	Date: 01-05-2019	Scale: 1:1, 1:10, 1:30
	Size: A3	Rev: REV.NO.
Subject: Interior Veneered Wood Tiles Ceiling		