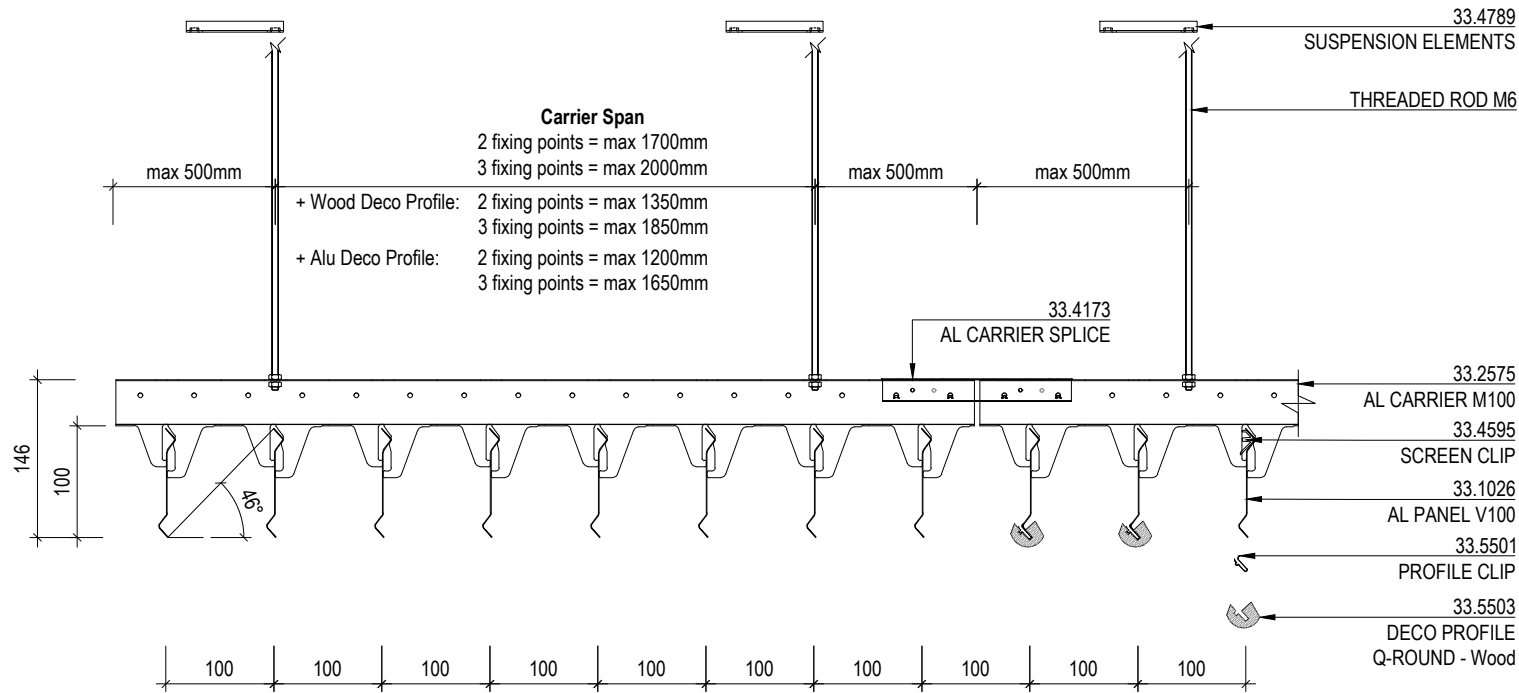
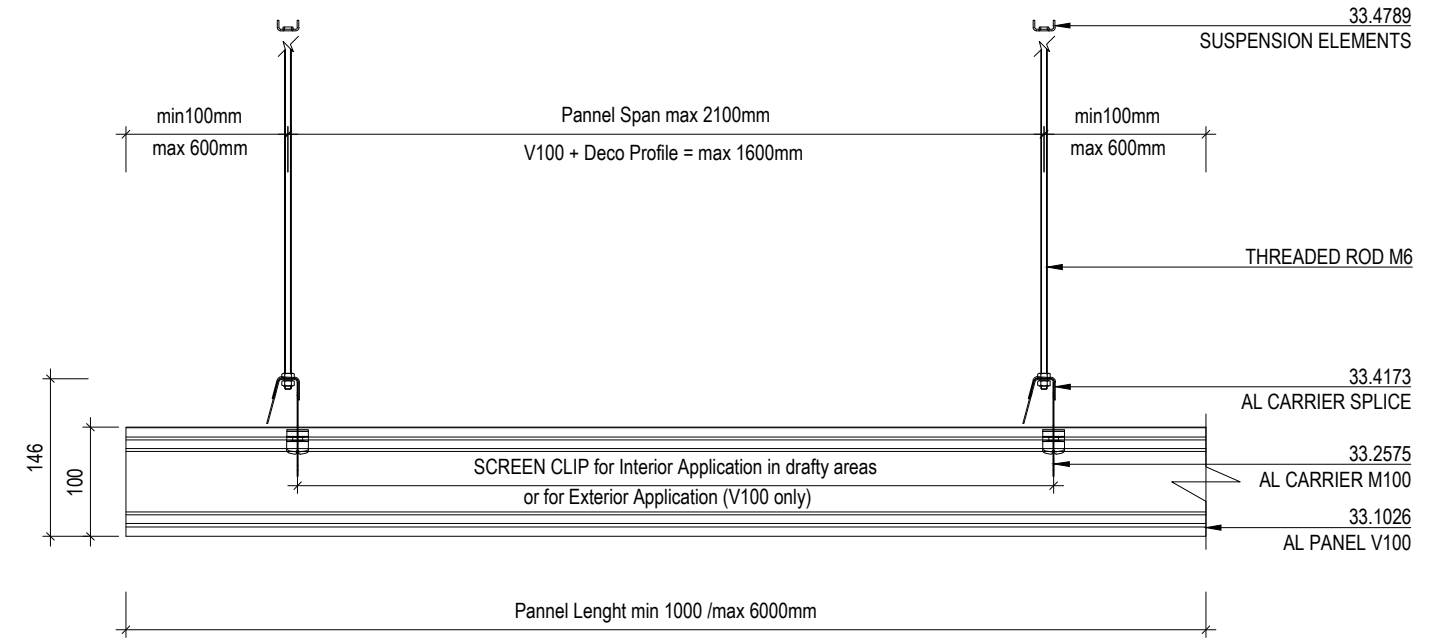


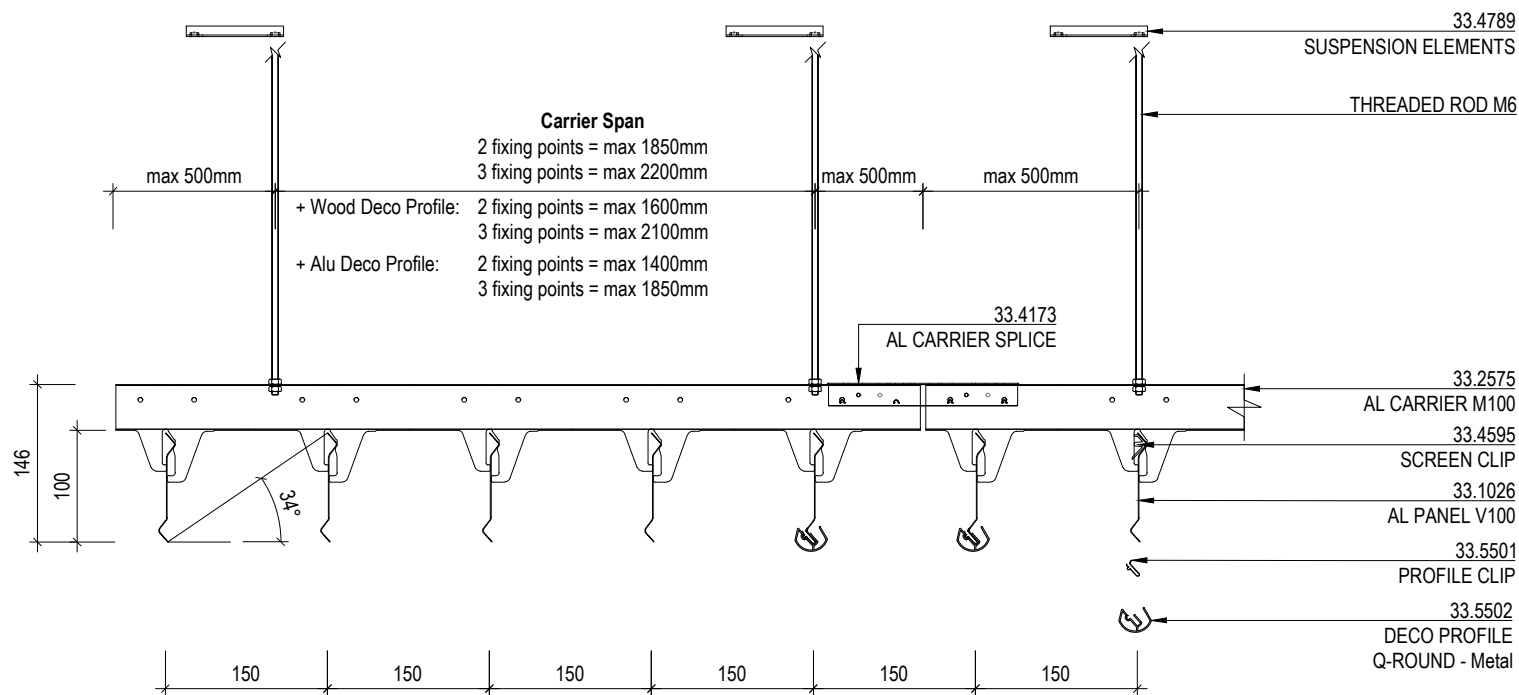
APPLICATION V100 : MODULE 100mm



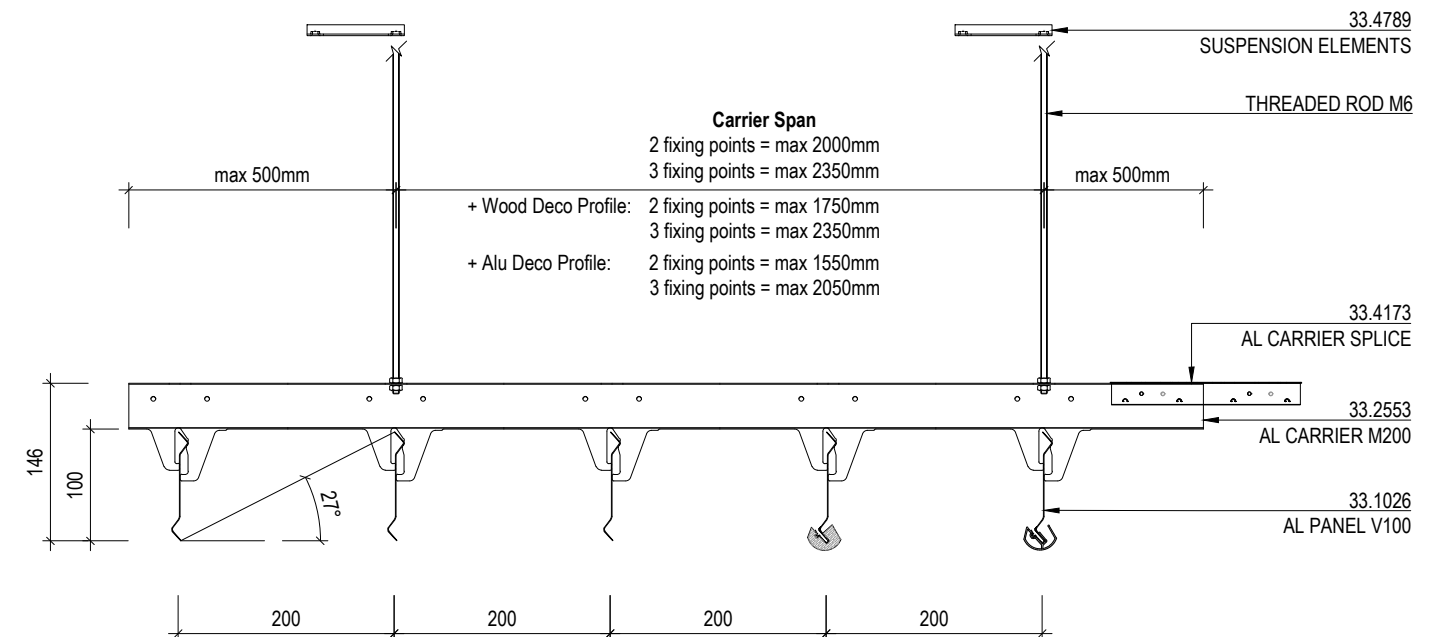
V100 : PANEL SPAN



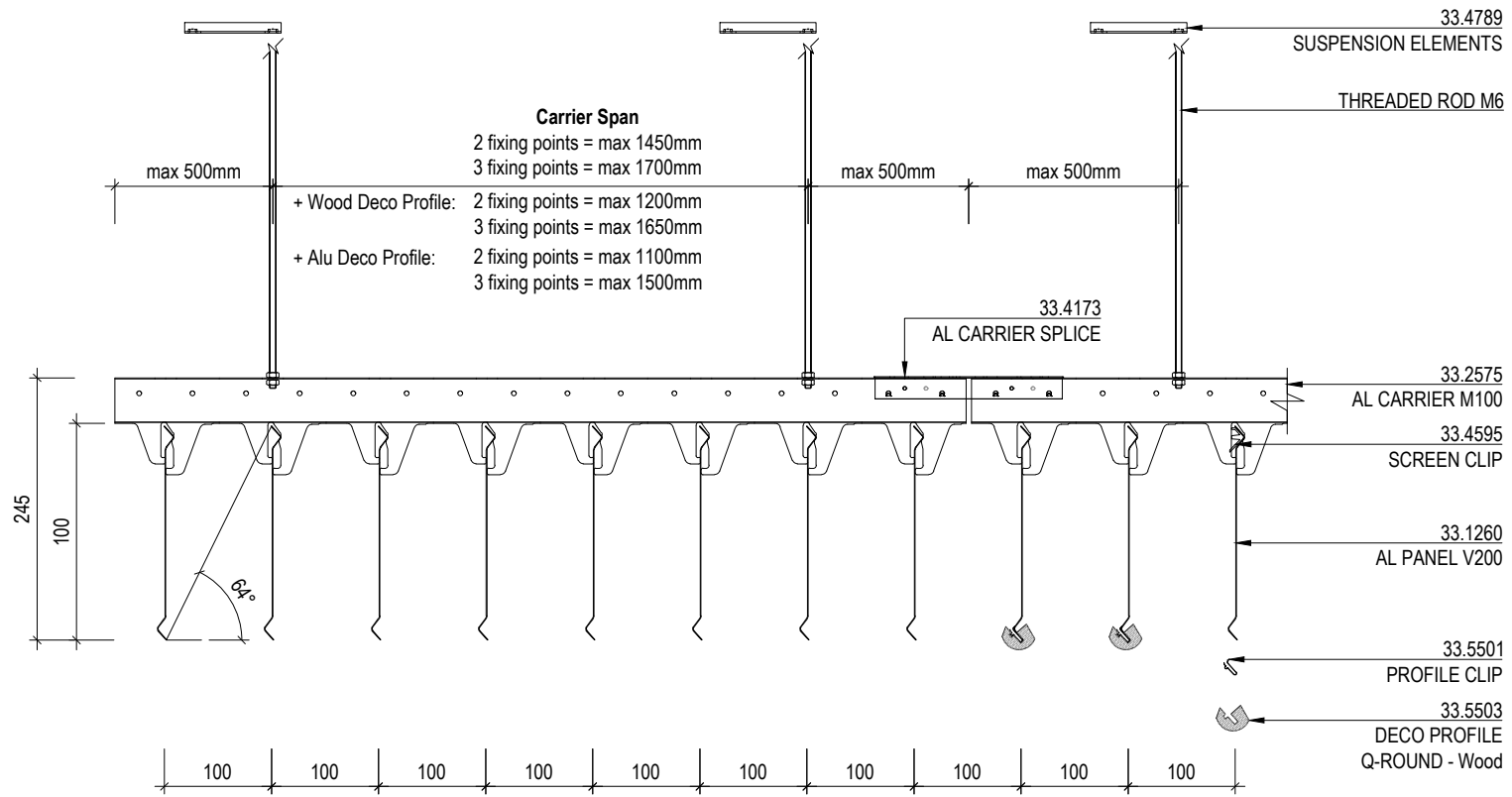
APPLICATION V100 : MODULE 150mm



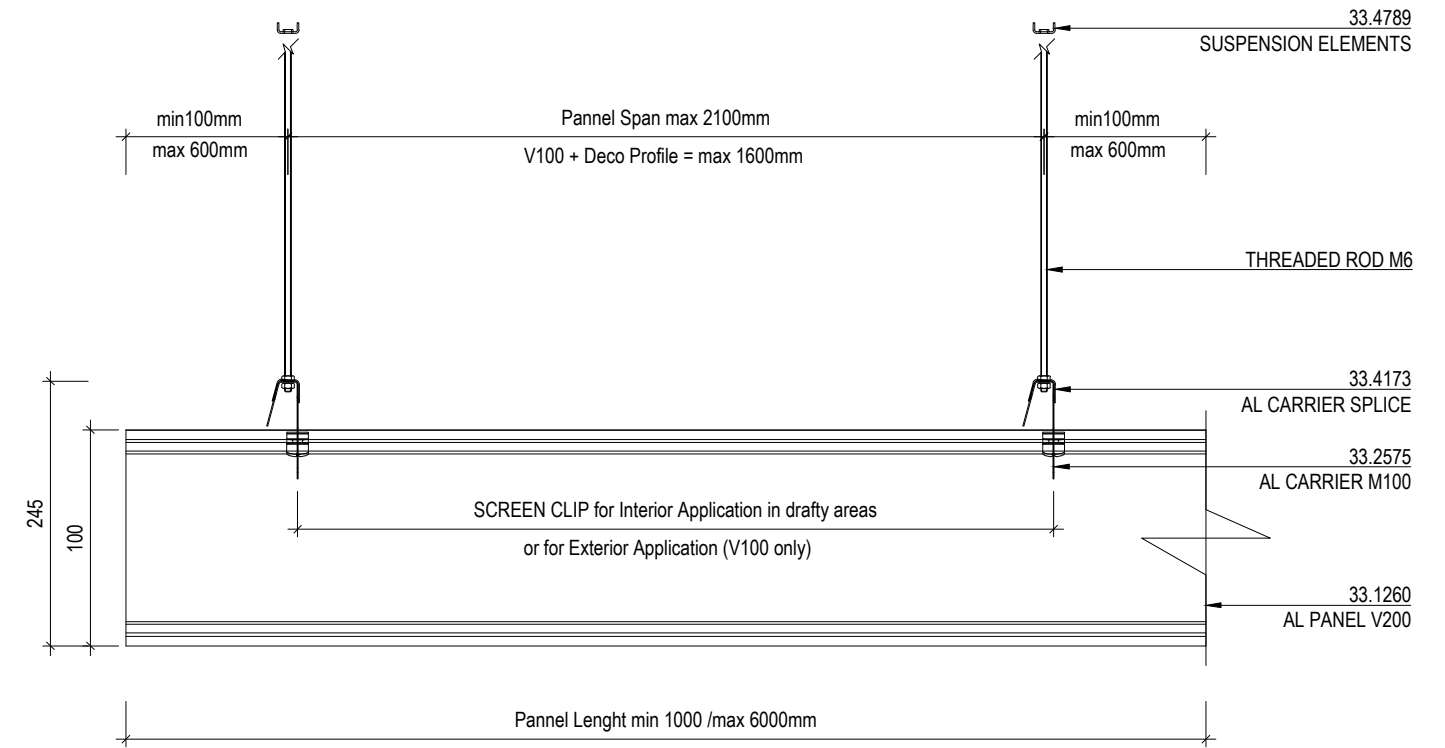
APPLICATION V100 : MODULE 200mm



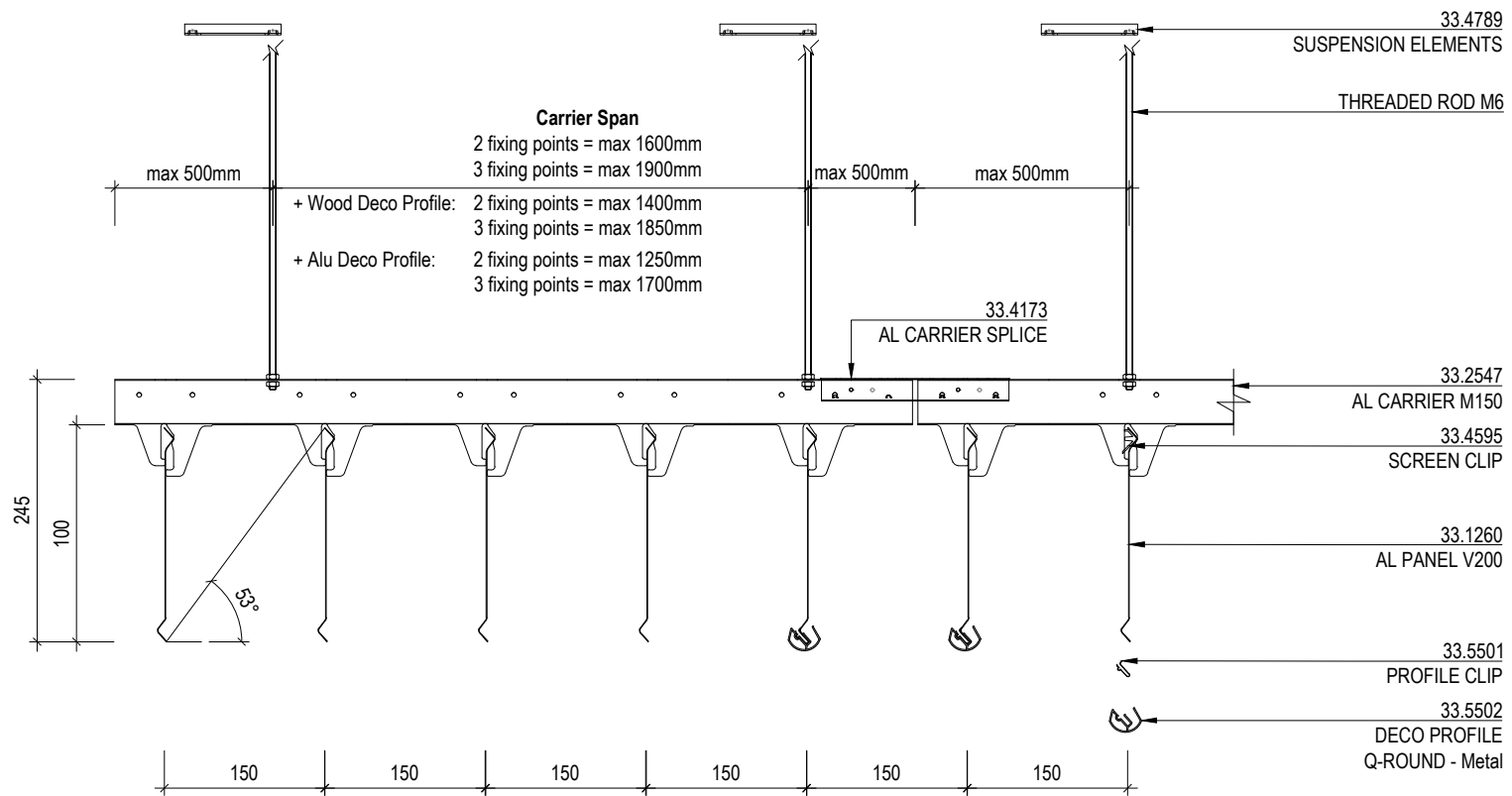
APPLICATION V200 : MODULE 100mm



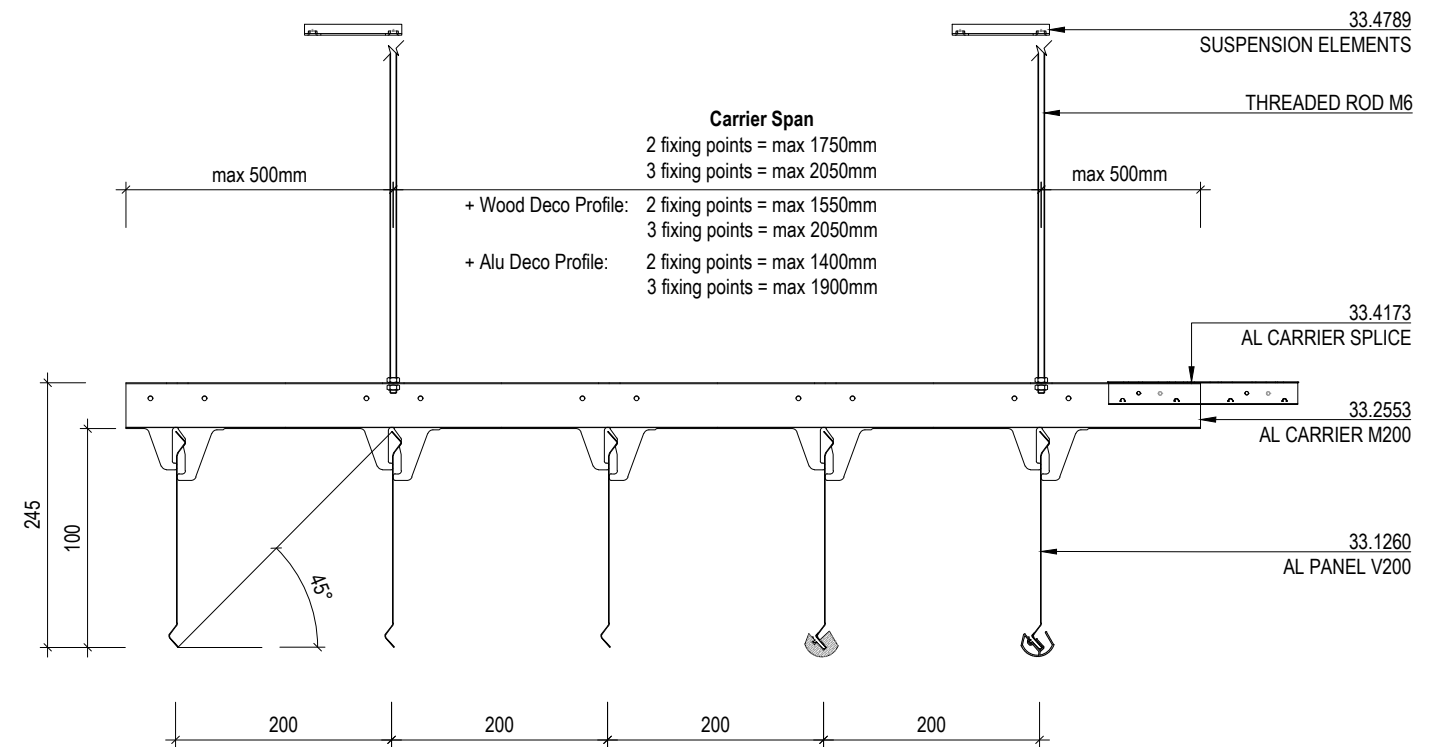
V200 : PANEL SPAN



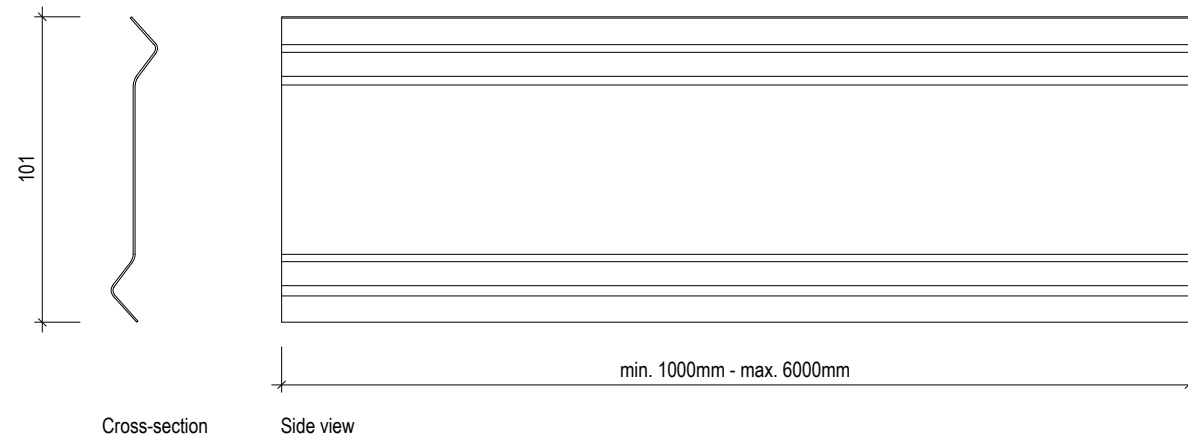
APPLICATION V200 : MODULE 150mm



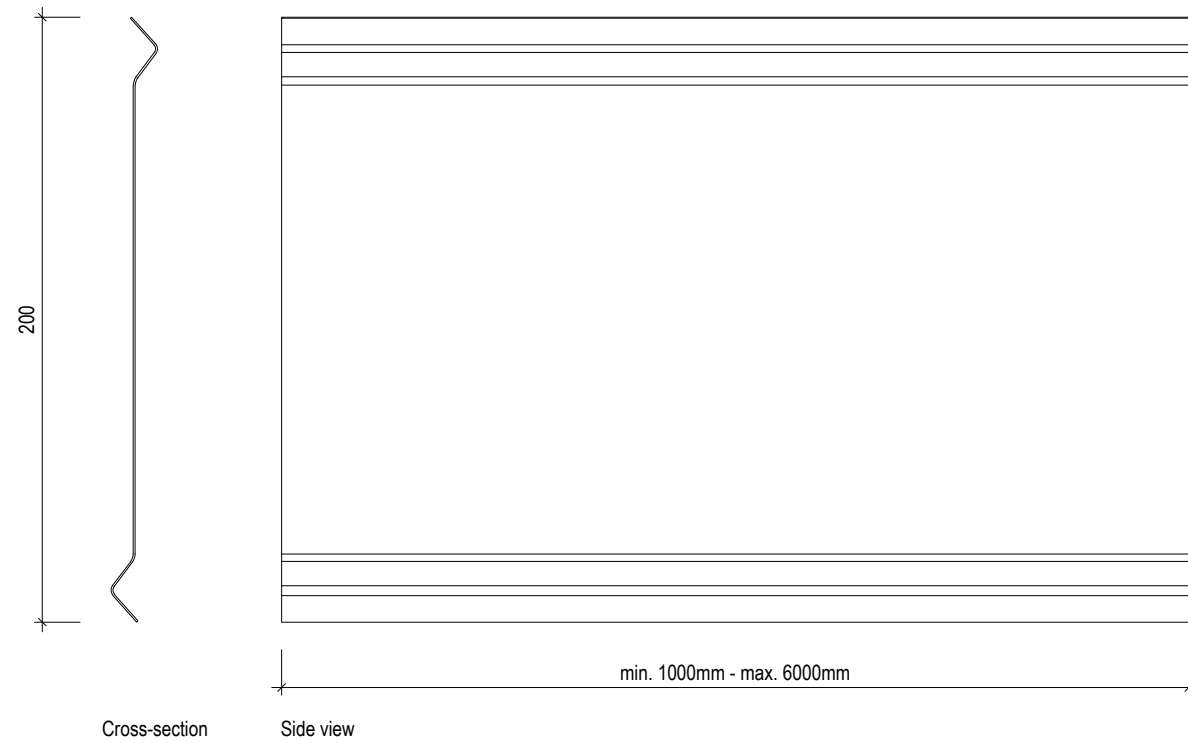
APPLICATION V200 : MODULE 200mm



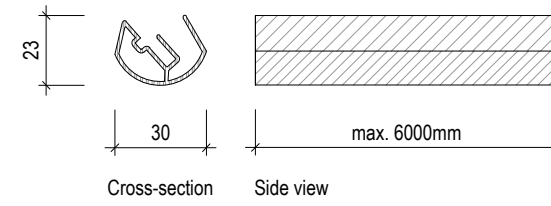
**33.1026
AL PANEL V100**



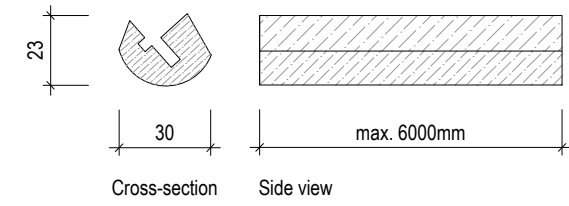
**33.1260
AL PANEL V200**



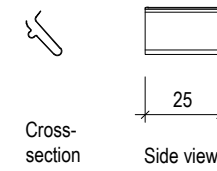
**33.5502
Q-ROUND DECO PROFILE Aluminium**



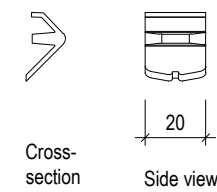
**33.5503
Q-ROUND DECO PROFILE Wood**



**33.5501
DECO PROFILE CLIP**



**33.4595
SCREEN CLIP**

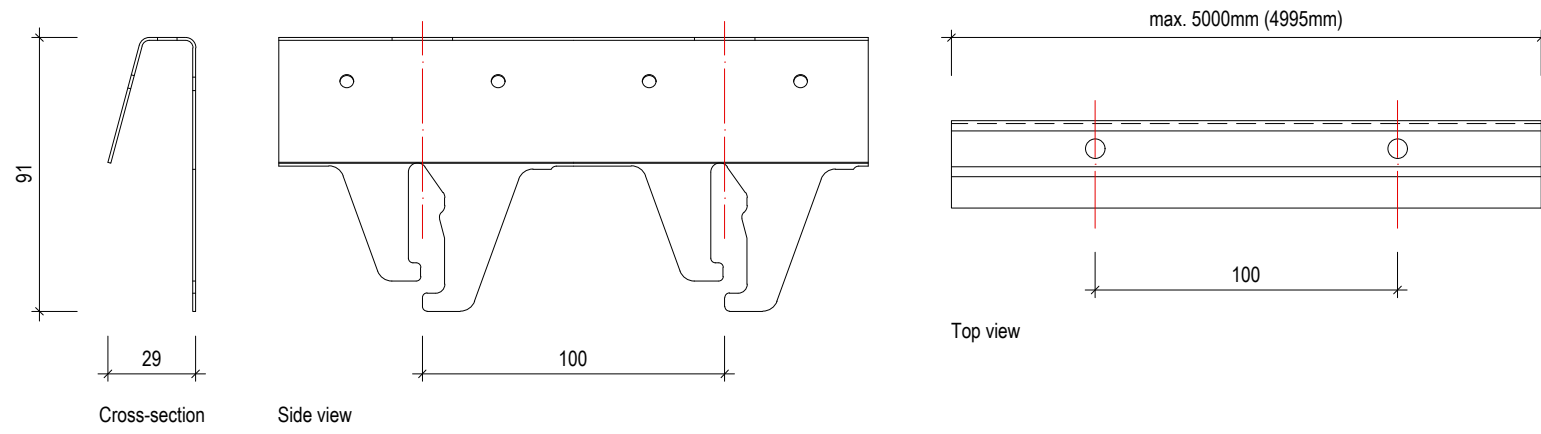


INTERIOR STANDARD COLOUR SAMPLES

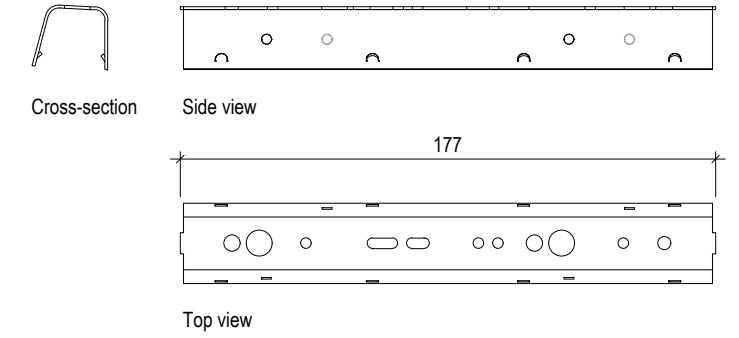


NOTE: COLOURS ARE FOR ILLUSTRATION PURPOSES ONLY

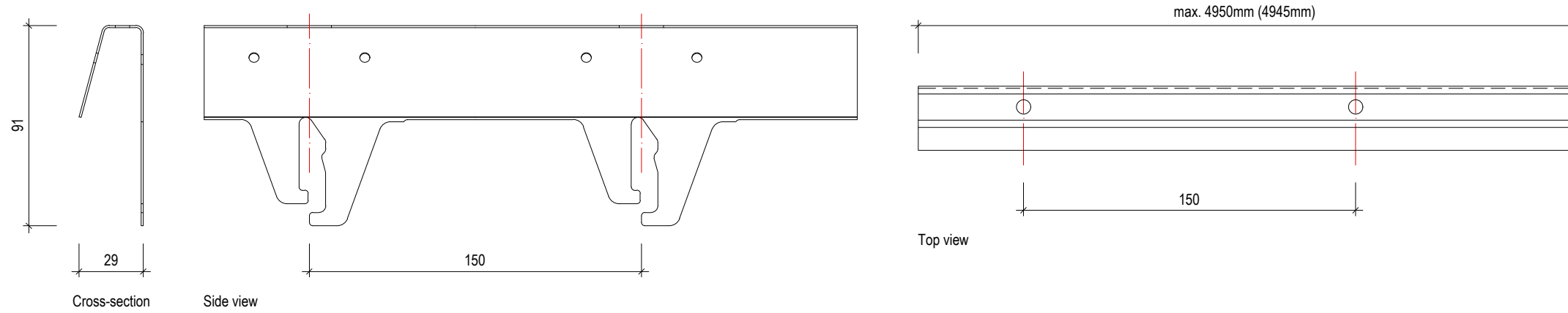
33.2575
AL V-CARRIER M100



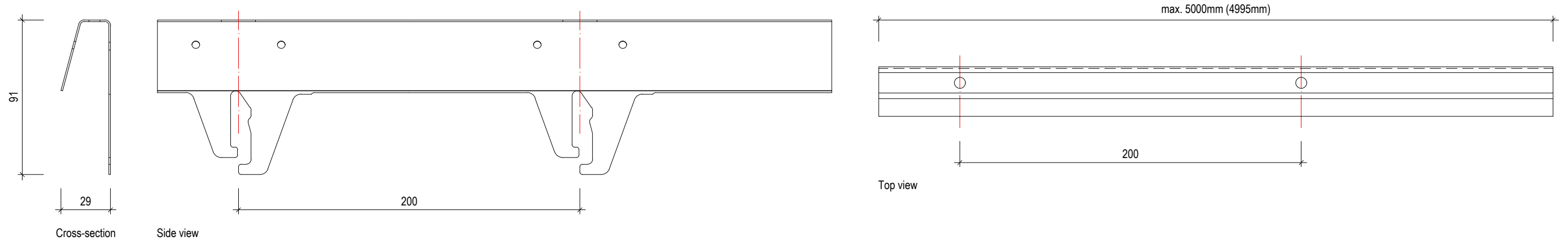
33.4173
Luxalon CARRIER SPLICE



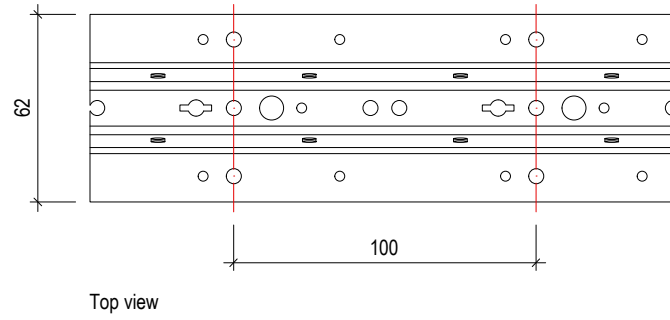
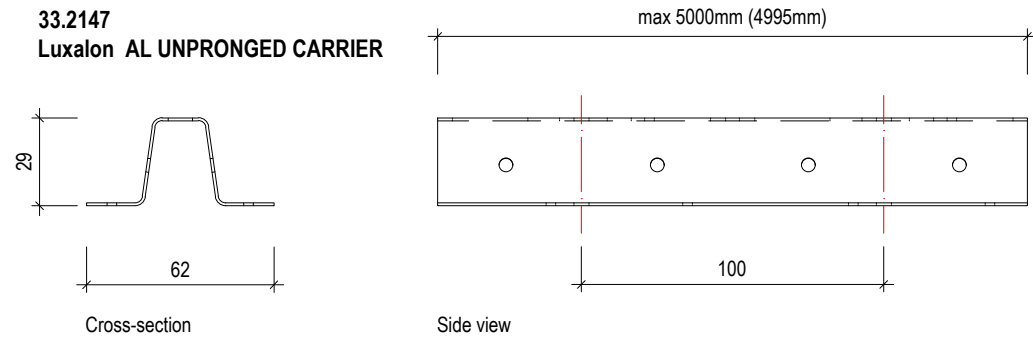
33.2547
AL V-CARRIER M150



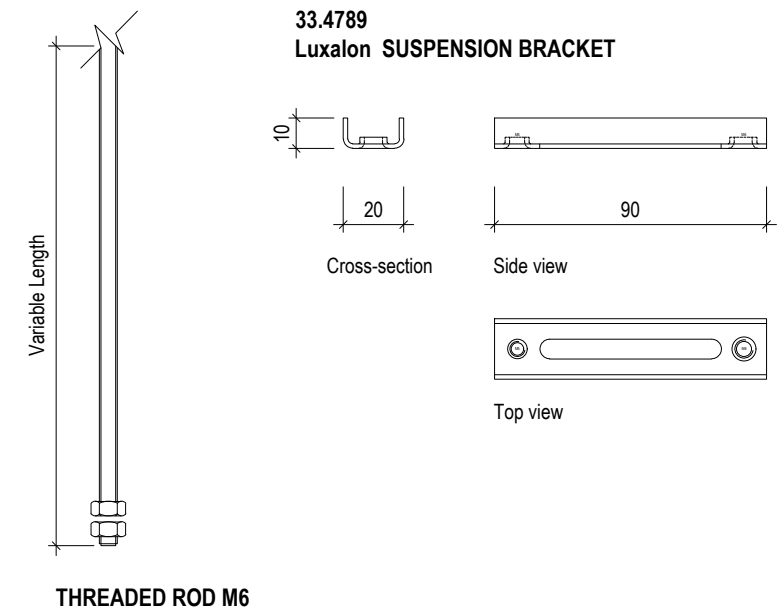
33.2553
AL V-CARRIER M200



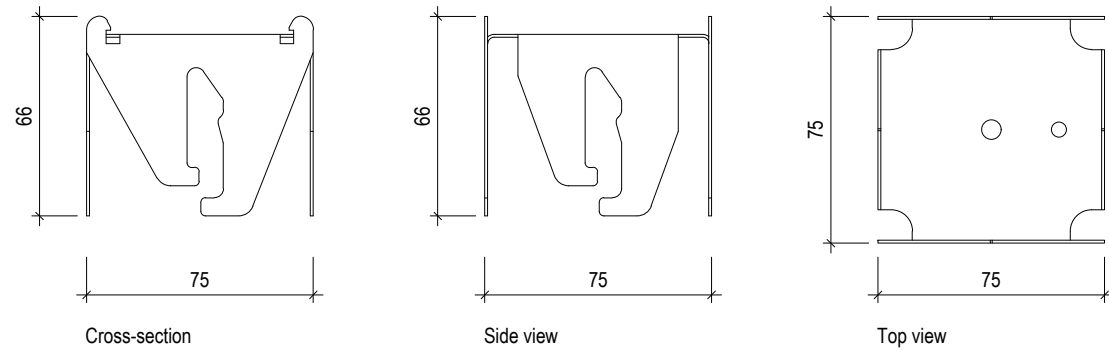
33.2147
Luxalon AL UNPRONGED CARRIER



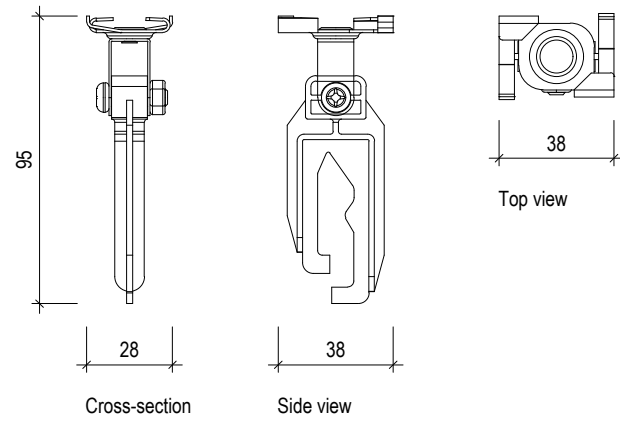
33.4789
Luxalon SUSPENSION BRACKET



33.4589
Luxalon CROSS BRACKET



33.4620
Luxalon V100/V200 PIVOT BRACKET



33.4620
V100/V200 PIVOT BRACKET APPLICATION

