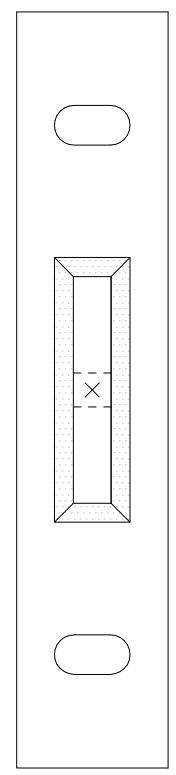
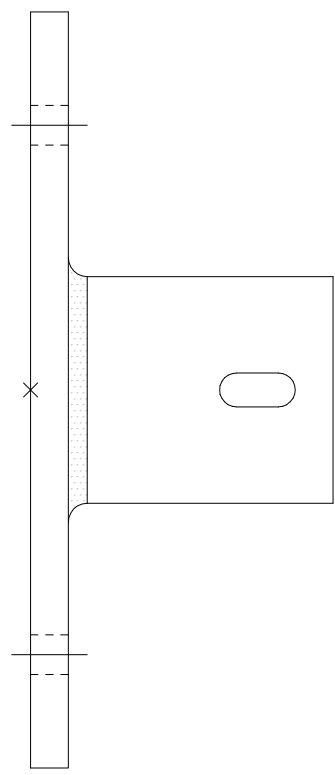
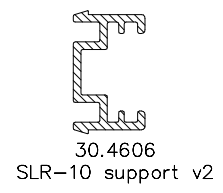
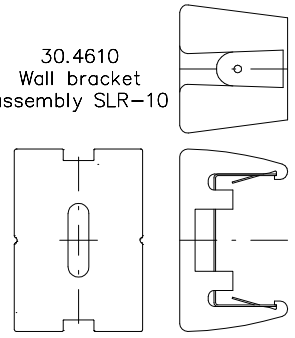


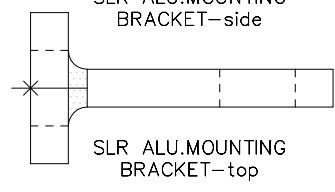
30.4604 SLR 60V-sec

30.4610 Wall bracket assembly SLR-10



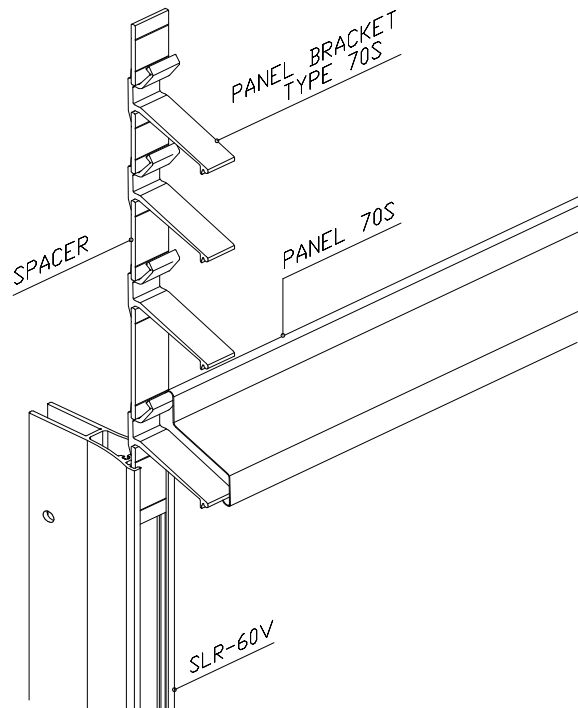
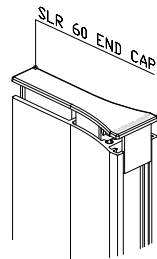
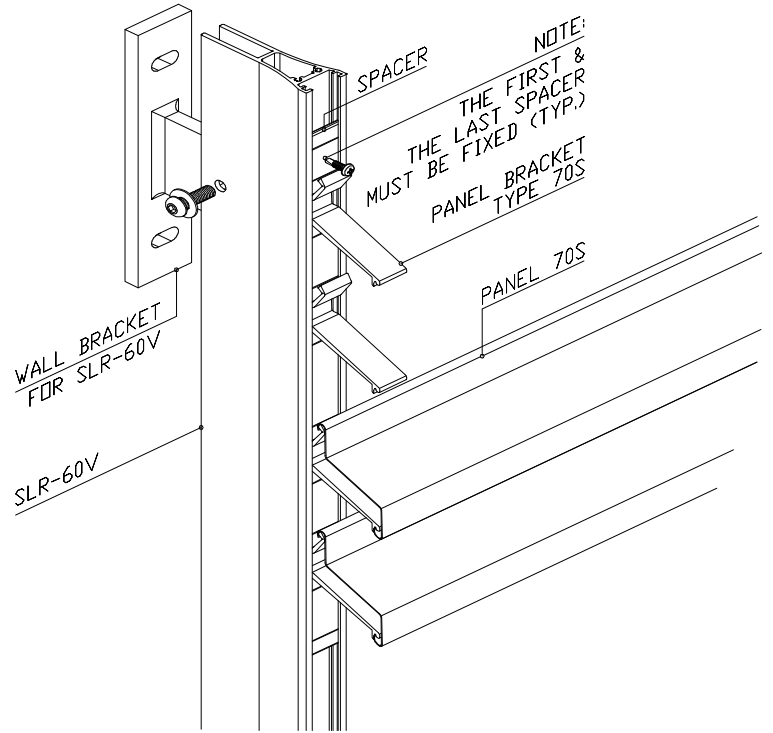
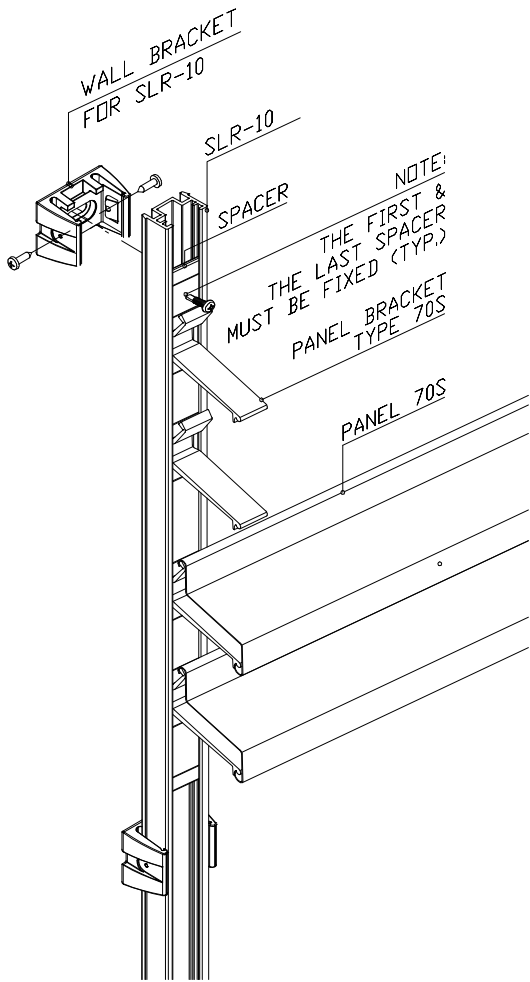
SLR ALU.MOUNTING BRACKET-side

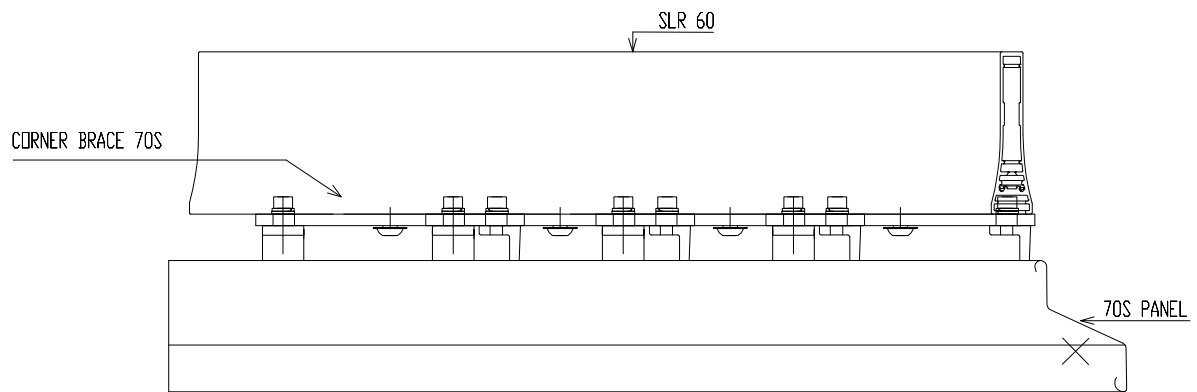
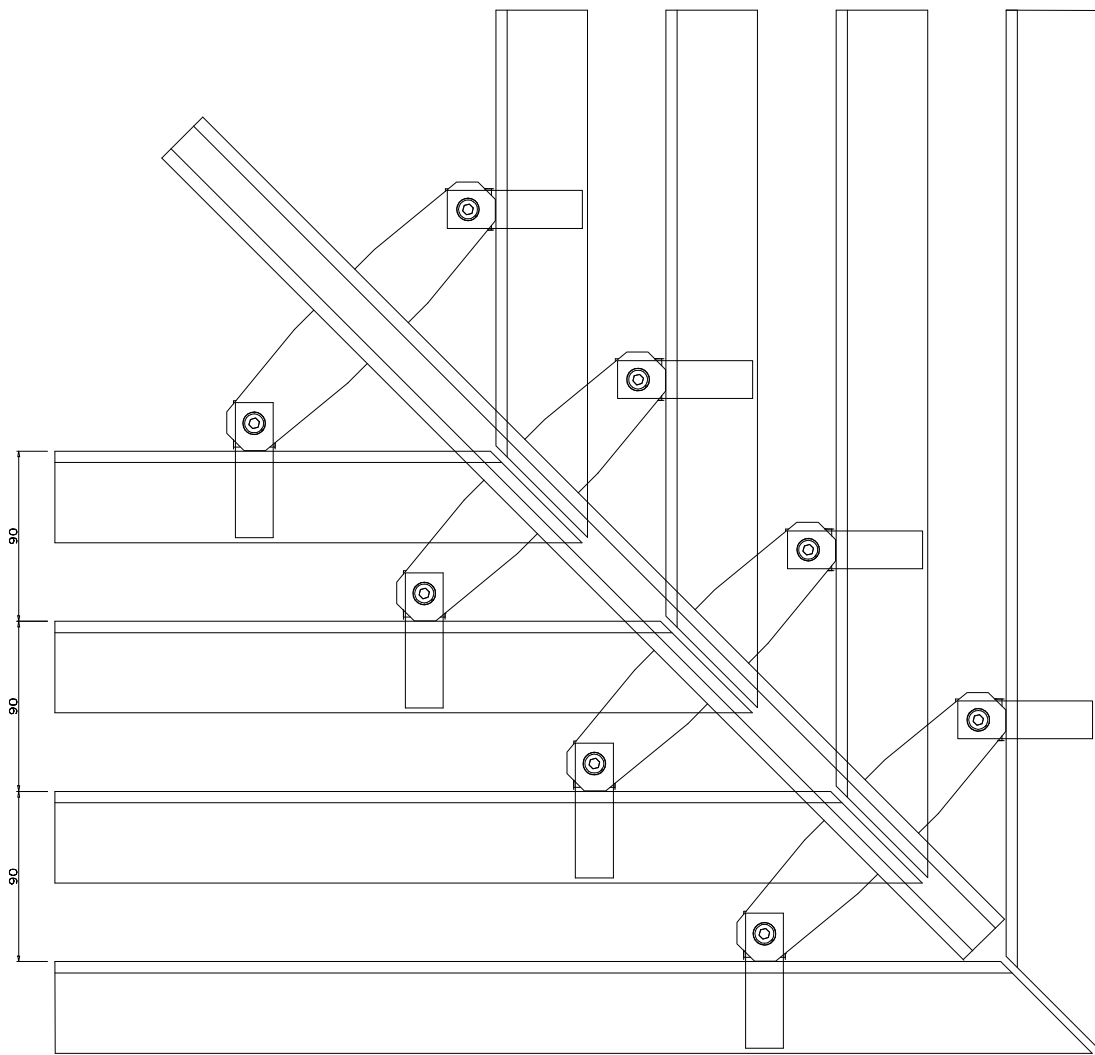
SLR ALU.MOUNTING BRACKET-front



SLR ALU.MOUNTING BRACKET-top

Drwg.No. SC-70S-SRL-2D-02	Date: 08.04.2014	Scale: 1:2
	Size: A4	Rev: C
Subject: Sun Control S-Louvres Type 70S		





PLAN 70S-2

SIDE/SECTION

