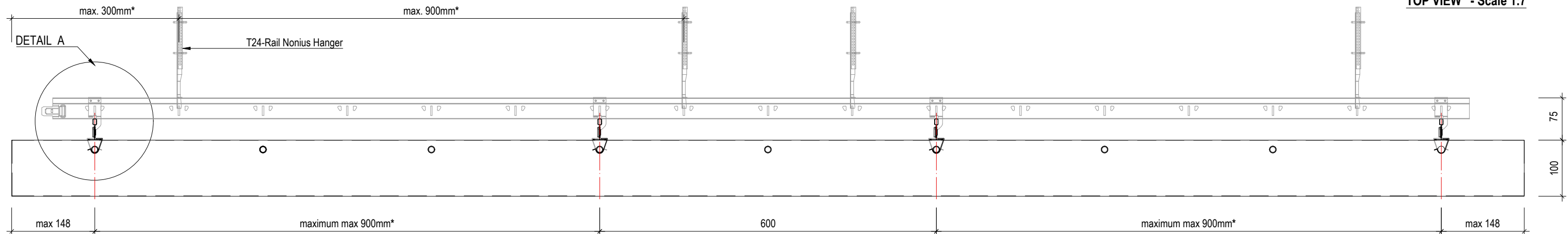
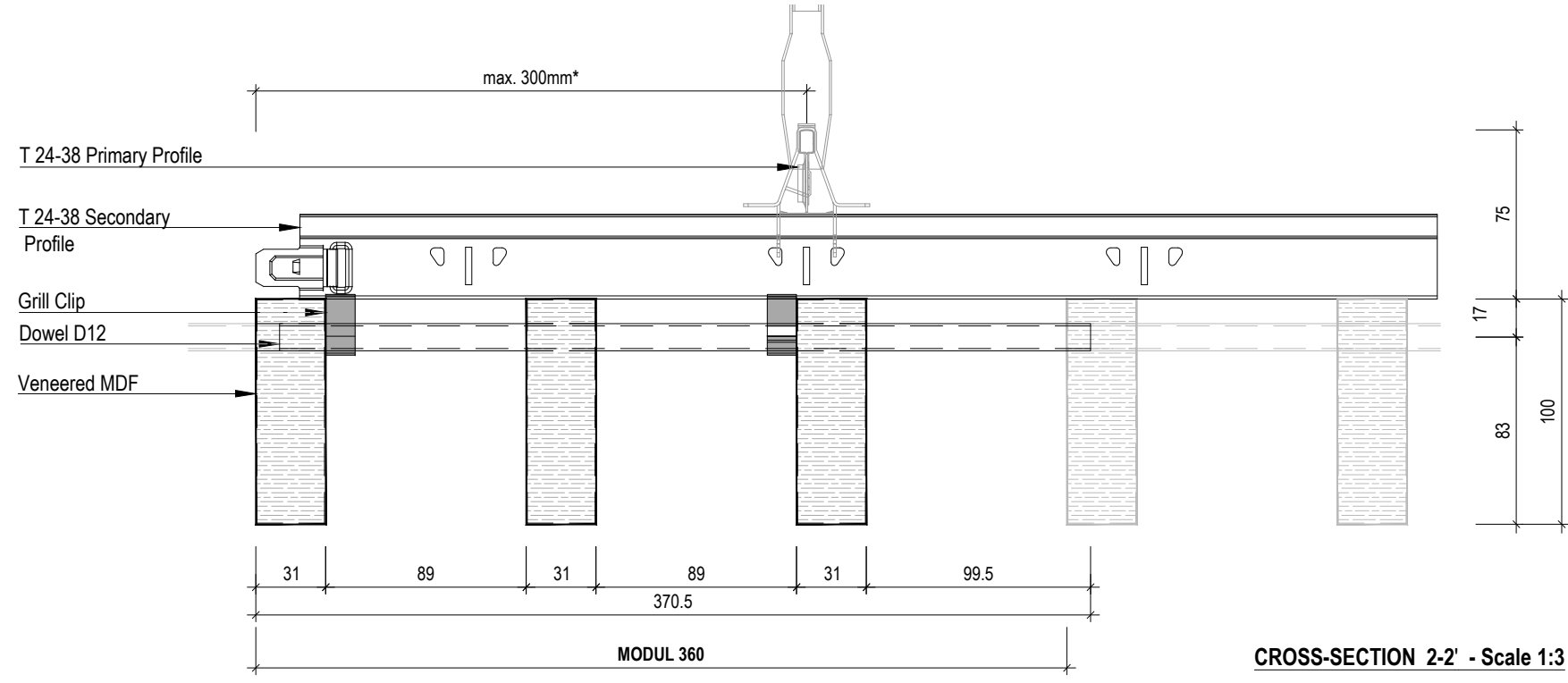


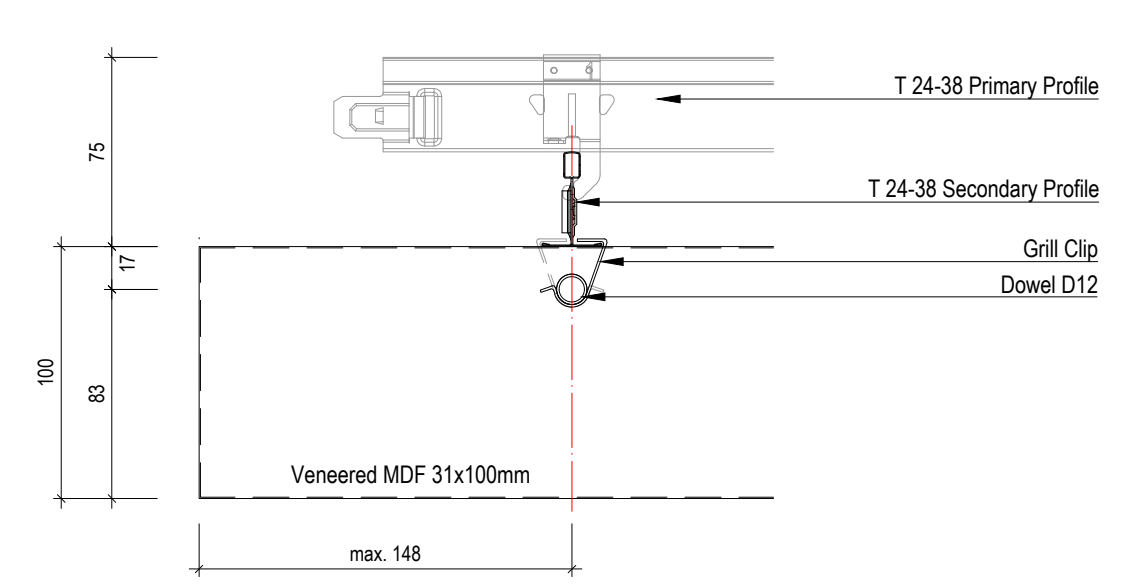
TOP VIEW - Scale 1:7



CROSS-SECTION 1-1' - Scale 1:7



CROSS-SECTION 2-2' - Scale 1:3



DETAIL A - Scale 1:3

NOTE: **max.300*** / **max.900mm*** - Maximum length of carrier cantilever and carrier span are specified in CEILING SUSPENSION INFORMATION



Drwg.No. C-i-GR-VW-ST- 3-89-31x100-2D_2020 _Grill	Date: 24-1-2020	Scale: 1:3, 1:7
	Size: A3	Rev:
Subject: Interior Veneered Wood Grill Ceiling		