

Veneered Wood Linear Wall - Elements

PRODUCT CHARACTERISTICS:

- Wood veneered linear wall system
- Natural wood veneer
- Durable 16 mm MDF core material
- Easy mounting on wooden substructure or T24 structure
- Linear wall elements
- Range of sizes and joint widths

www.hunterdouglasarchitectural.eu

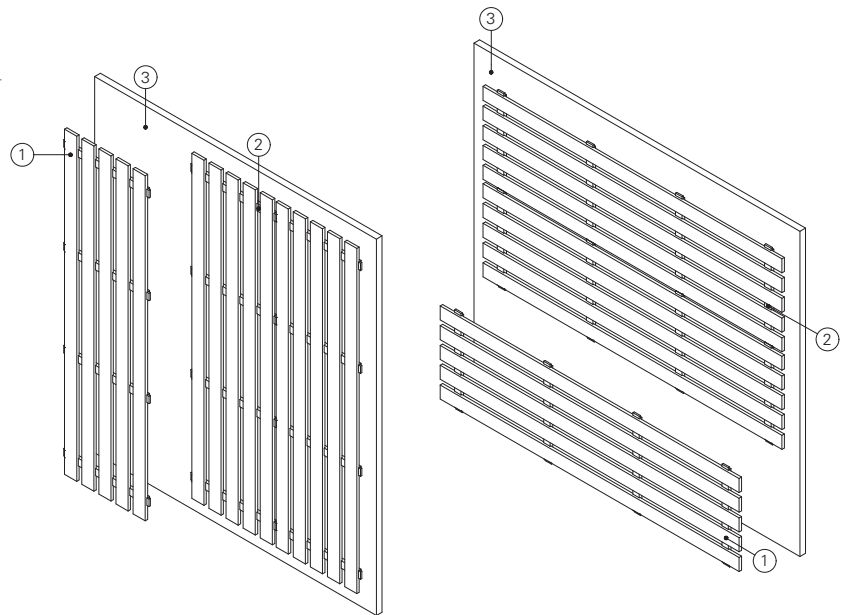
© Registered trademark - a HunterDouglas® product

Project : Sporthal Amersfoort, The Netherlands
Product : Linear Ceiling-, and Wall elements
Architect: VenhoevenCS architecture+urbanism

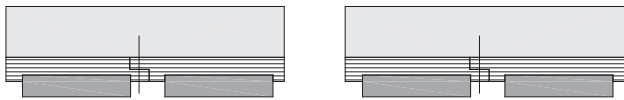
HunterDouglas 
Architectural

SYSTEM OVERVIEW

1. Linear Wall Element
2. Linear Wall Backer
3. Substructure (Non HD)



TYPICAL SECTIONS



MAXIMUM SPAN

| Linear element Panel size (LxW) | Panel Cantilever A | Panel span B |
|------------------------------------|---------------------------------|------------------------|
| 2400 x 600 mm | 75 | 450 |
| 2780 x 600 mm | 75 | 450 |

MATERIAL PROPERTIES

- **Material:** 16 mm Medium Density Fibreboard
- **Toplayer:** Organic wood veneer, Engineered wood veneer, RAL painted
- **Sizes:** Cassettes 2400 x 600 and 2780 x 600 mm
Other sizes upon request
- **Joint width:** 5 / 10 / 15 / 20 / 30 mm
- **Weight:** ± 13 kg/m² (plain) or down to 10 kg/m² (perforated)
- **Fire retardant:** Up to class B-s1,d0 / B-s2,d0
- **Acoustic:** Up to α_w 0.50 / NRC 0.70

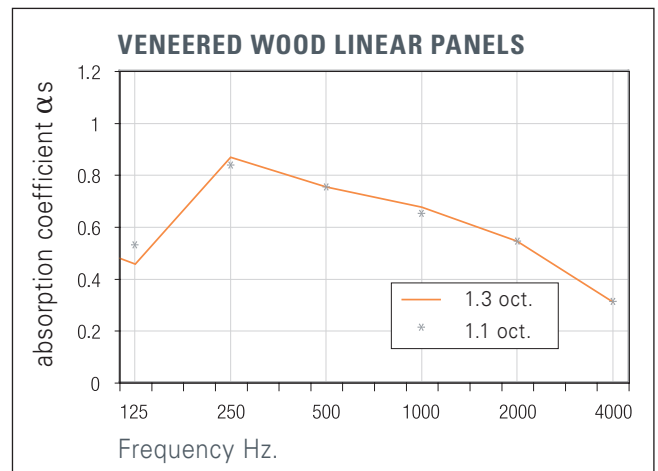
ACOUSTICS - α_w

The table shows the test result for wood linear panels

- 17 mm-thick panel, 90 mm wide, 20 mm joint
- Soundtex 0.2 mm
- Rockwool 20 mm
- **Test method:**
ISO 354:1985/Amd.1:1997 (EN 20354:1993),
ISO 11654:1997, ASTM-C423-90a

CERTIFICATIONS

- French VOC regulation class A
- E1 (EN 717-1)
- FSC NC-COC-016324



| FREQUENCY (HZ) | 125 | 250 | 500 | 1000 | 2000 | 4000 |
|----------------|------|------|------|------|------|------|
| 1/3 octave | 0.49 | 0.81 | 0.79 | 0.69 | 0.52 | 0.39 |
| | 0.46 | 0.85 | 0.76 | 0.67 | 0.47 | 0.33 |
| 1/1 octave | 0.57 | 0.83 | 0.76 | 0.65 | 0.47 | 0.33 |

HunterDouglas 
Architectural

Hunter Douglas Architectural

Piekstraat 2
P.O. Box 5072 - 3008 AB Rotterdam - The Netherlands
Tel. +31 (0)10 - 486 99 11 - Fax +31 (0)10 - 484 79 10
www.hunterdouglasarchitectural.eu