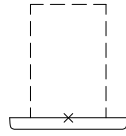
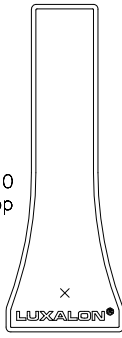


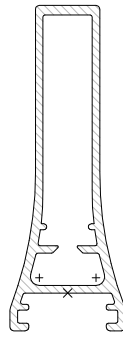
30.5060 SLR 60  
END CAP M-side



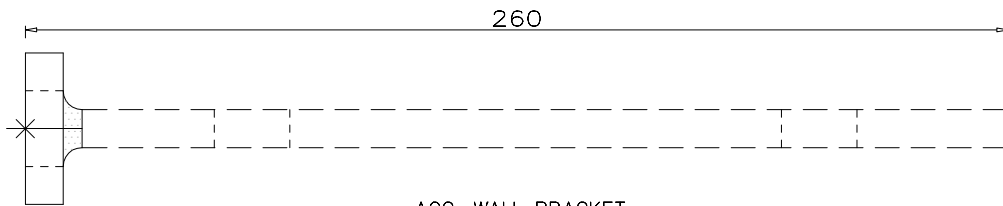
30.5060 SLR 60  
END CAP M-top



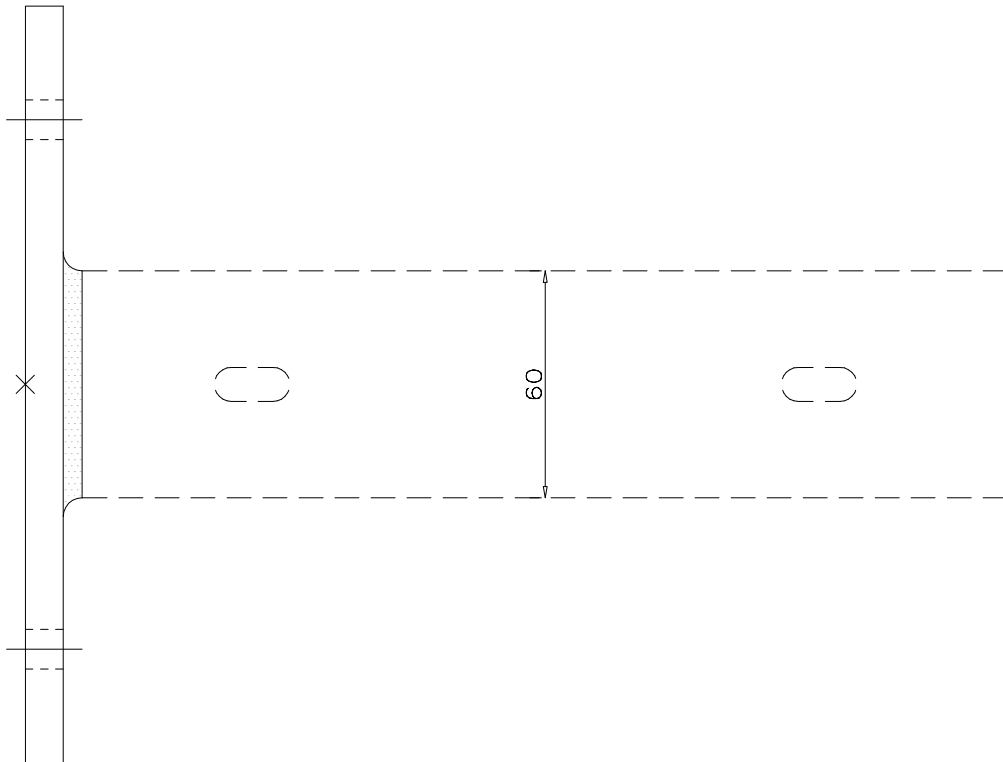
30.5060 SLR 60  
END CAP M-front



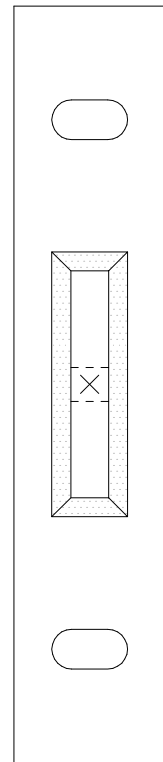
30.4603 SLR  
60-sec



ACC. WALL BRACKET  
FOR SLR 60  
-top



ACC. WALL BRACKET  
FOR SLR 60  
-side



ACC. WALL BRACKET  
FOR SLR 60V&H  
-front

