

# HeartFelt® modular felt Ceiling System

## PRODUCT CHARACTERISTICS:

- Modular linear felt system
- Panel dimensions **Boxshaped:**  
40 x 55 mm, 40 x 80 mm, 40 x 105 mm  
**Rounded:** 40 x 64 mm
- 40 x 55 mm panels are available in 5 shades of grey and 5 earth tones
- 40 x 64 mm, 40 x 80 mm and 40 x 105 mm panels are available in 5 shades of grey
- Panel length 40HL55 : 1000 - 6000 mm  
Panel length 40HR64 : 1000 - 6000 mm  
Panel length 40HL80 : 1000 - 6000 mm  
Panel length 40HL105 : 1000 - 4000 mm
- 16 standard carrier modules offering different joint widths

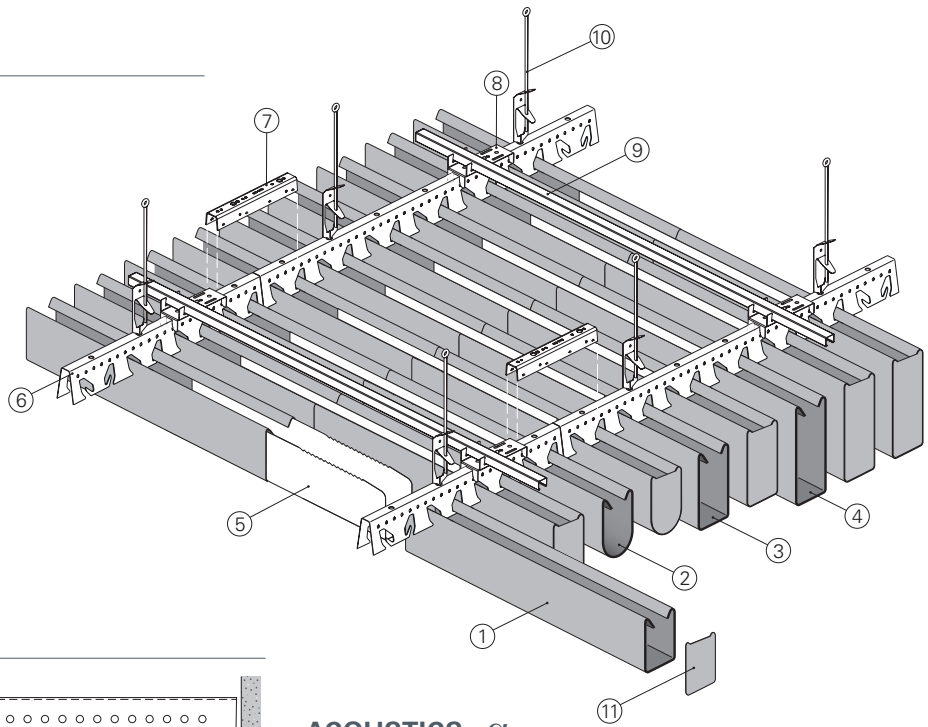
[www.hunterdouglasarchitectural.eu](http://www.hunterdouglasarchitectural.eu)

© Registered trademark - a HunterDouglas® product

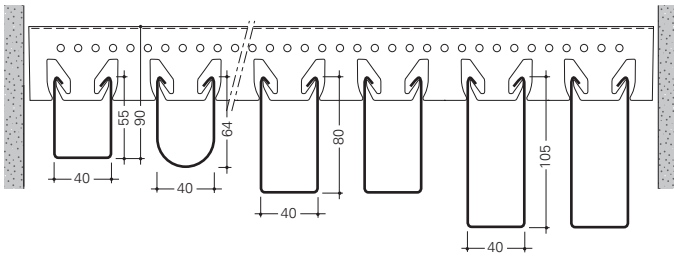
**HunterDouglas**   
Architectural

## SYSTEM OVERVIEW

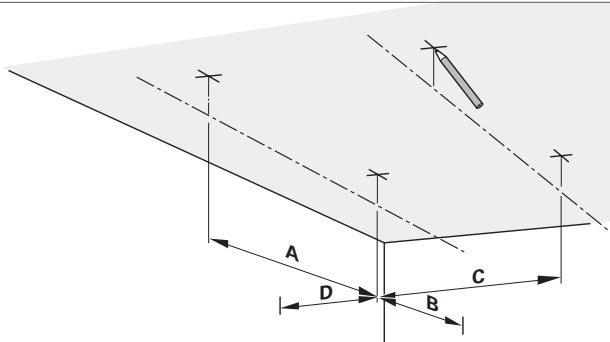
- 1 = HeartFelt® panel 40HL55
- 2 = HeartFelt® panel 40HR64
- 3 = HeartFelt® panel 40HL80
- 4 = HeartFelt® panel 40HL105
- 5 = Panel splice (available for all Panels)
- 6 = Carrier
- 7 = Carrier splice
- 8 = Stabilisation bracket
- 9 = Stabilisation profile
- 10 = Suspension
- 11 = Endcaps



## PROFILE



## MAXIMUM SPAN



Panel	Maximum Carrier span		Maximum Panel span	
	A	B	C	D
HeartFelt® 55/64/80	1500	300	1200	150
HeartFelt® 105	1500	300	900	150

## MATERIAL PROPERTIES

- **Material:** non-woven, thermo formable PES-fibers
- **Fire retardant:** class B-s1,d0 EN 13501-1
- **Weight:** Panel 40 x 55: 2.9 kg/m<sup>2</sup> (M50) - 1.7 kg/m<sup>2</sup> (M100)
- **Light reflection:** depending on colour
- **Exposure class:** A and B EN 13964

## CERTIFICATIONS

- Indoor Air Comfort Gold
- French VOC-regulation class A+
- Cradle to Cradle™ Level Bronze
- Oeko-tex Standard 100 klasse IV
- SundaHus Miljødata klasse A
- GreenGuard Gold

Cradle to Cradle Certified™ is a certification mark licensed by the Cradle to Cradle Products Innovation Institute.



## ACOUSTICS - $\alpha_w$

### Panel 40HL55 - Panel 40HR64

Module (mm)	Joint (mm)	Openness %	$\alpha_w$
M50	10	20%	0.70 (H)
M60	20	33%	0.65 (H)
M70	30	43%	0.60 (H)
M70*	30	43%	1.00 (H)
M80	40	50%	0.50 (H)
M90	50	55%	0.45 (H)
M100	60	60%	0.45 (H)

\*Ceiling panels covered with mineral wool tiles or acoustic tiles from PES.

### Panel 40HL80

Module (mm)	Joint (mm)	Openness %	$\alpha_w$
M80	40	50%	0.50 (H)
M90	50	55%	0.47 (H)
M100	60	60%	0.45 (H)
M150	110	73%	0.40 (H)

### Panel 40HL105

Module (mm)	Joint (mm)	Openness %	$\alpha_w$
M 100	60	60%	0.50 (H)
M 110	70	64%	0.48 (H)
M 120	80	67%	0.47 (H)
M 150	110	73%	0.42 (H)
M 200	160	80%	0.38 (H)

# HunterDouglas Architectural

## Hunter Douglas Architectural

Piekstraat 2  
 P.O. Box 5072 - 3008 AB Rotterdam - The Netherlands  
 Tel. +31 (0)10 - 486 99 11 - Fax +31 (0)10 - 484 79 10  
[www.hunterdouglasarchitectural.eu](http://www.hunterdouglasarchitectural.eu)